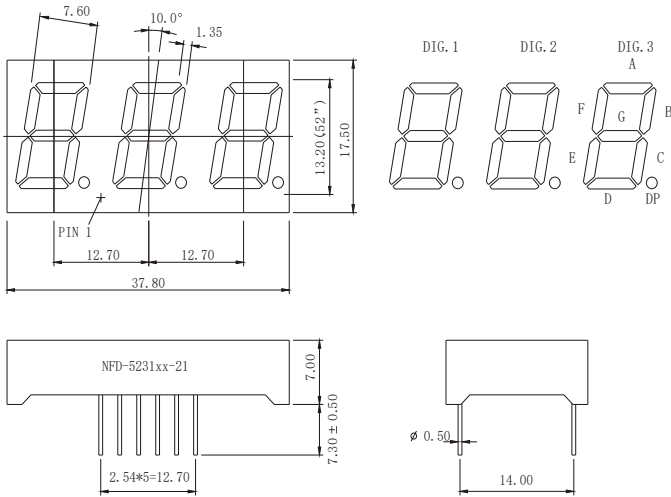
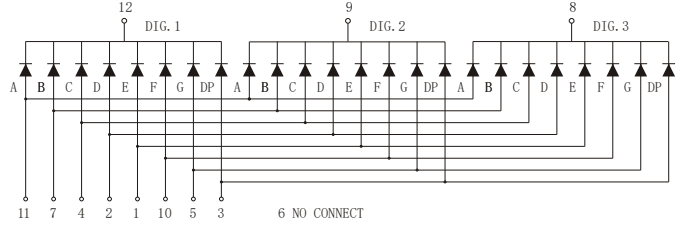


GNT-5231Ax-Bx (TRIPLE DIGIT LED DISPLAY)

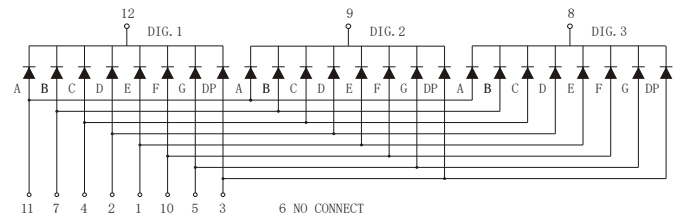
GNT-5231 Series



GNT-5231Ax



GNT-5231Bx



Features:

*0.56 INCH HIGH CHARACTER.

*EXCELLENT CHARACTER APPEARANCE.

*COMMON CATHODE OR COMMON ANODE.

*I.C. COMPATIBLE.

*LOW POWER CONSUMPTION.

Part Number	Emitting Color		Common Cathode OR Common Anode	Peak Wavelength (NM)	Vf (V) Type	If (mA)	Intensity Per Segment (mcd)	
							Min.	Type.
GNT-5231AE	GaAsP/GaP	Hi.effi Red	Common Cathode	635	10-20	20	9	12
GNT-5231AG	GaP	Green		565	10-20	20	8	11
GNT-5231AY	GaAsP/GaP	Yellow		585	10-20	20	9	12
GNT-5231AS	GaAlAs	Super Red		660	10-20	20	10	13
GNT-5631AD	GaAlAs	Ultra Red		660	10-20	20	25	30
GNT-5231AUE	AlGaInP	Ultra Red		625	10-20	20	30	35
GNT-5231AUY	AlGaInP	Ultra Yellow		590	10-20	20	30	35
GNT-5231BE	GaAsP/GaP	Hi.effi Red	Common Anode	635	10-20	20	9	12
GNT-5231BG	GaP	Green		565	10-20	20	8	11
GNT-5231BY	GaAsP/GaP	Yellow		585	10-20	20	9	12
GNT-5231BS	GaAlAs	Super Red		660	10-20	20	10	13
GNT-5231BD	GaAlAs	Ultra Red		660	10-20	20	25	30
GNT-5231BUE	AlGaInP	Ultra Red		625	10-20	20	30	35
GNT-5231BUY	AlGaInP	Ultra Yellow		590	10-20	20	30	35