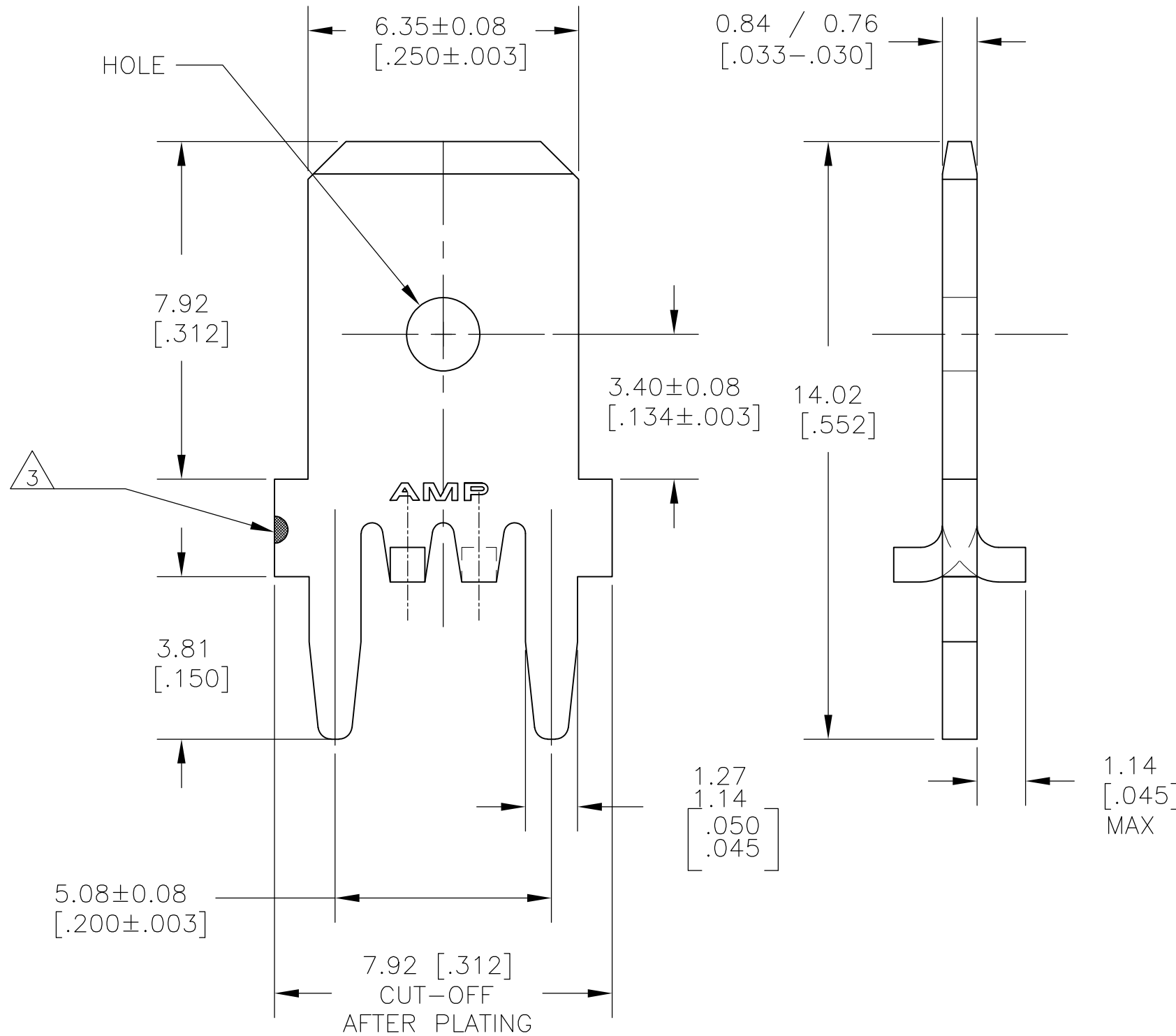
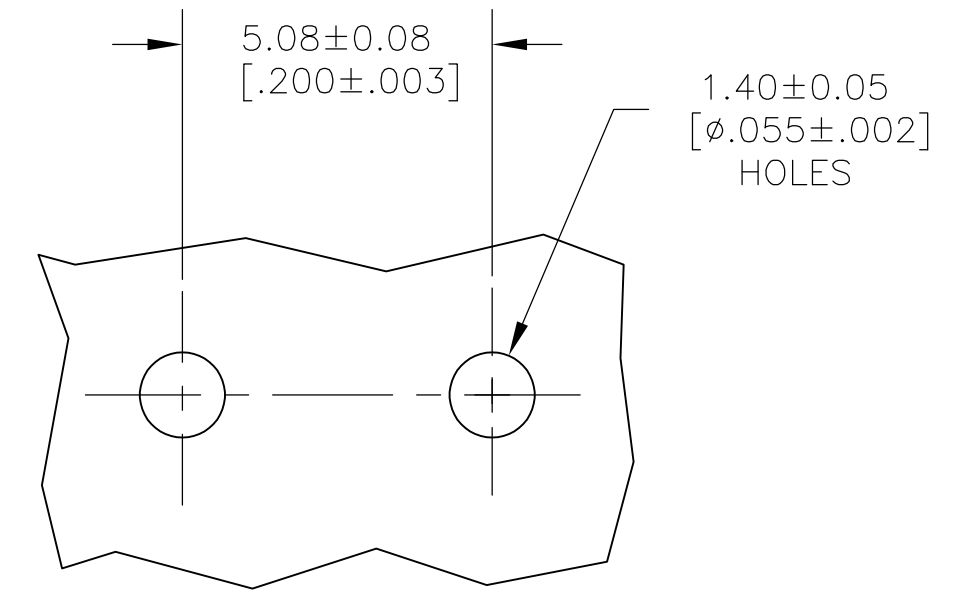


THIS DRAWING IS UNPUBLISHED. RELEASED FOR PUBLICATION  
 © COPYRIGHT - By - ALL RIGHTS RESERVED.

LOC	DIST	REVISIONS					
AF	50	P	LTR	DESCRIPTION	DATE	DWN	APVD
			F1	REVISED PER ECO-13-012990	13AUG13	JR	PD



- 1 SUPPLIED IN LOOSE PIECE
- 2 TIN PLATE 0.00381 [.000150] MIN OVER 0.00254 [.000100] MIN THK COPPER OR TIN PLATE 0.00381 [.000150] MIN OVER 0.00127 [.000050] MIN NICKEL PL.
- 3 OPTIONAL ID MARK, LOCATED APPROX AS SHOWN.



P.C. BOARD HOLE PATTERN

63824-1	63849-1
STRIP PART NO.	PART NO.

THIS DRAWING IS A CONTROLLED DOCUMENT.		DWN	JR RUTH	20FEB01	TE Connectivity NAME TAB, FASTON, P.C.BOARD 6.35 [.250]									
DIMENSIONS: mm [INCHES]		CHK	MS FEHER	20FEB01										
TOLERANCES UNLESS OTHERWISE SPECIFIED:		APVD	N DEIBERT	20FEB01										
0 PLC ± - 1 PLC ± - 2 PLC ± 0.25 [.010] 3 PLC ± - 4 PLC ± - ANGLES ± -		PRODUCT SPEC	-											
MATERIAL	BRASS	FINISH	2	APPLICATION SPEC	114-2115	SIZE	A3	CAGE CODE	00779	DRAWING NO	C-63849	RESTRICTED TO	-	
CUSTOMER DRAWING						WEIGHT	-	SCALE		8:1	SHEET	1 OF 1	REV	F1

# Mouser Electronics

Authorized Distributor

Click to View Pricing, Inventory, Delivery & Lifecycle Information:

[TE Connectivity:](#)

[63849-1](#)