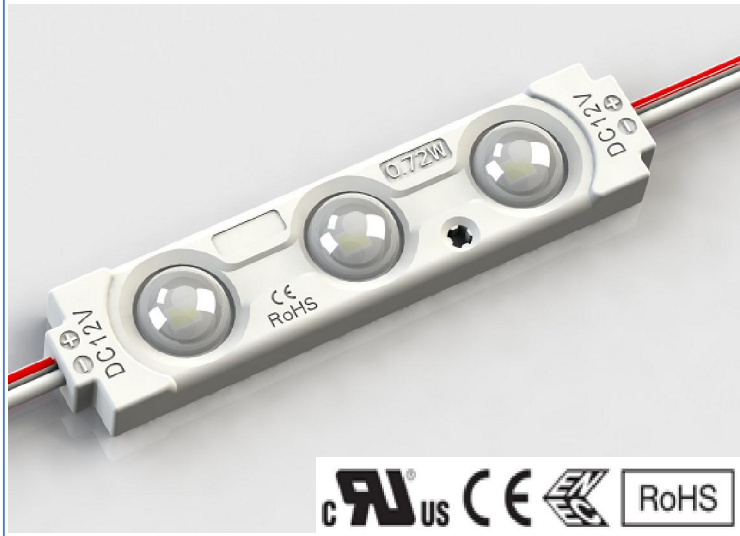


Backlighting Injection Module

M23GX17A



Areas of application

- Signage and illuminated advertising.
- Best for 60~200mm depth light boxes and channel letters.
- Permanent outdoor use in enclosed light boxes or channel letters.

Product features

- Chain of 20 pcs LED modules.
- High efficiency LED.
- High color consistency (MacAdam 4).
- Beam characteristic: 160°.
- Protection class of LED module: IP67.
- Flexible chain, can be split between any module.
- Mounting with screw or premounted double-sided adhesive tape possible.
- Nominal life-time up to 50,000 h (at tc 50°C).
- Module size:
72 x 16 x 7.8 mm.
- 5 years warranty

Application data

| | |
|-------------------------------|--------------|
| Max connection number | 20 pcs |
| Distance of modules (wire) | 120 mm |
| Ambient temperature ta | -25 ~ +50 °C |
| Max. temperature on module tc | 65 °C |
| Storage temperature ts | -40 ~ +85 °C |
| Risk group (EN 62471:2008) | 1 |
| Certification list | CE/RoHS |

Technical data

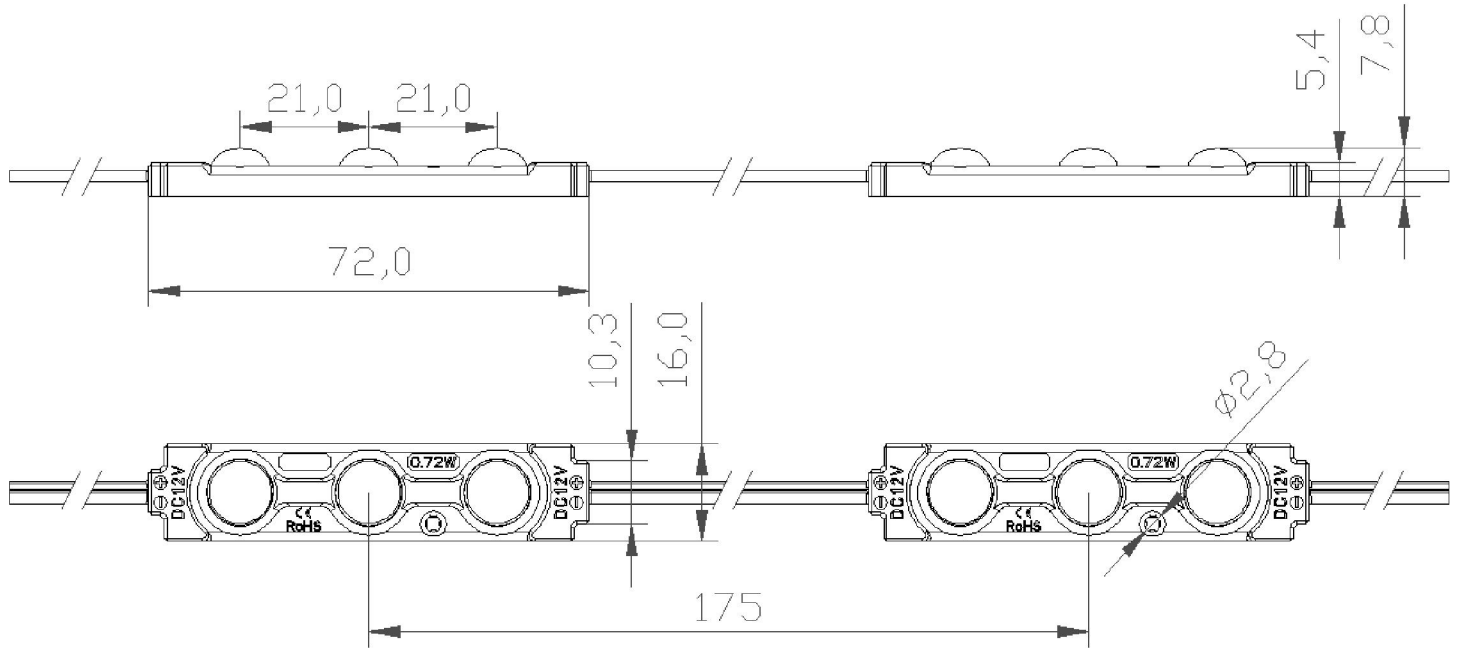
| Product Name | Nominal voltage ^③ | Color temperature or Wavelength ^{①②} | CRI ^{①②} | Typ. Flux per module ^{①②} | Typ. Power per module ^{①②} | Luminous efficacy |
|--------------|------------------------------|---|-------------------|------------------------------------|-------------------------------------|-------------------|
| M23GN17A | 12.0 V | 2700~3300 K | >70 | 64.8 lm | 0.72 W | 90.0 lm/W |
| M23GW17A | 12.0 V | 5500~6500 K | >70 | 68.4 lm | 0.72 W | 95.0 lm/W |
| M23GW17A | 12.0 V | 8000~12000 K | >70 | 68.4 lm | 0.72 W | 95.0 lm/W |

① Tolerance range for optical and electrical data: -15/+15 %.

② All value @ ta=25°C.

③ Tolerance range for the supply voltage: 12 V: ±5 %.

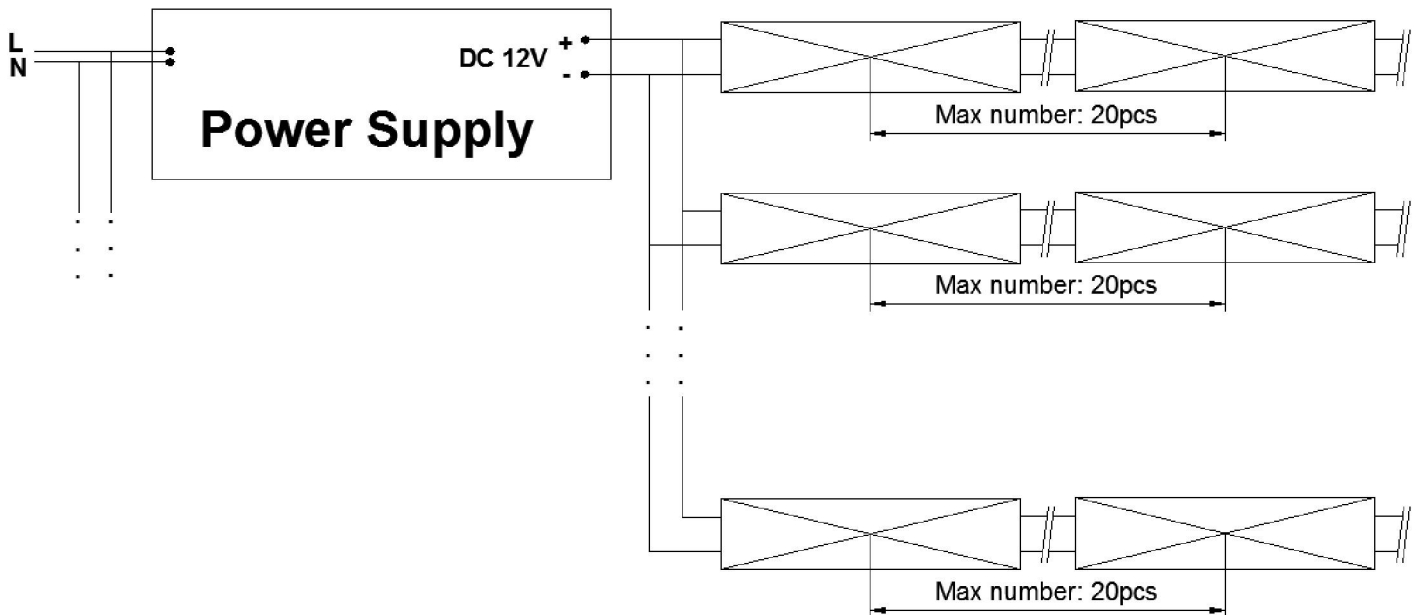
Product 2D drawing (unit: mm)



Wiring type

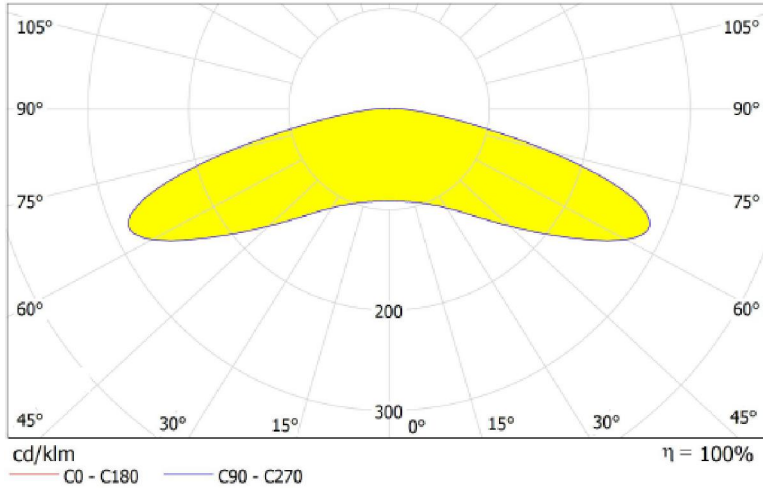
| | | |
|----------|---------------|-------|
| Cable | UL 1007 20AWG | |
| Color | red - white | white |
| Function | + | - |

Wiring example:



Light distribution

Beam characteristics 160°



Noted:

- The power cable should meet the actual maximum current and power.
- All the end point of wire should be treated with waterproof;
- Pay attention to the maximum number of connections, prohibit overloading.
- All the power supply must has the corresponding certification.
- Our company reserves the right of final interpretation.
- Subject to change without notice.