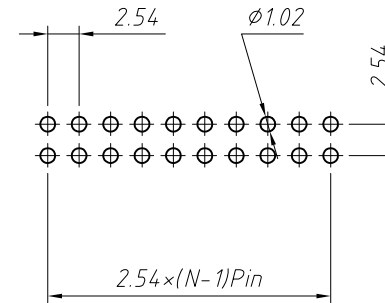
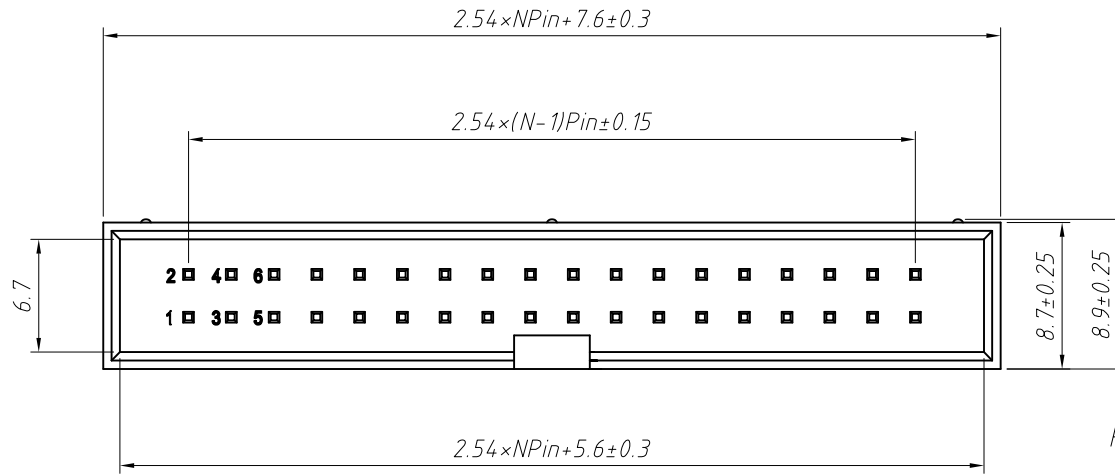


1 RoHS Compliance

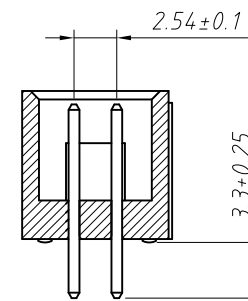
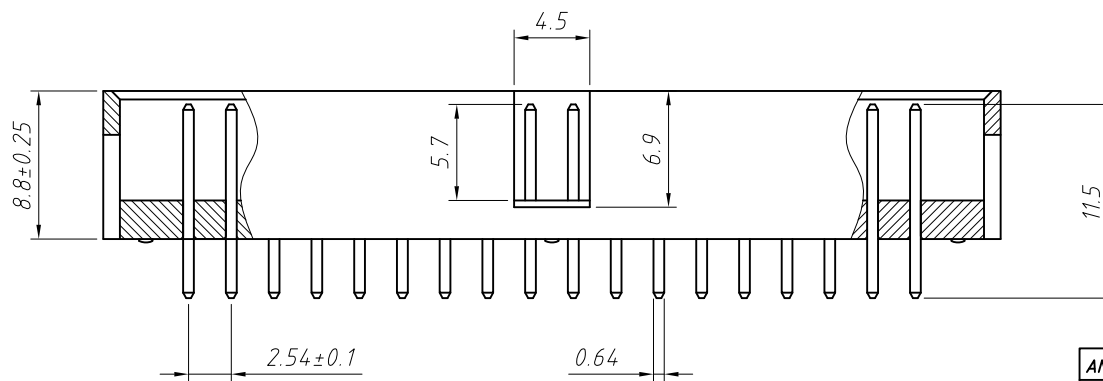


Recommended P.C.B Layout (Top Side)
(PCB BOARD TOLERANCE ±0.05)

Material:
Housing: PBT, UL 94 V-0
Contact: Brass
Plating: Gold flash plated

Electrical Characteristics:
Rated Current: 3.0AMP
Contact Resistance: 20mΩ Max
Withstand Voltage: 1000V AC/DC
Insulator Resistance: 1000MΩ Min

Mechanical
Operating Temperature: -40°C ~ +105°C
Max. Processing Temp: 180°C for 30-60 seconds (200°C for 10 seconds)



Order Information:

L-KLS1-202-XX-S-B-□

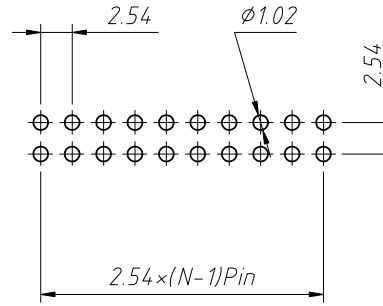
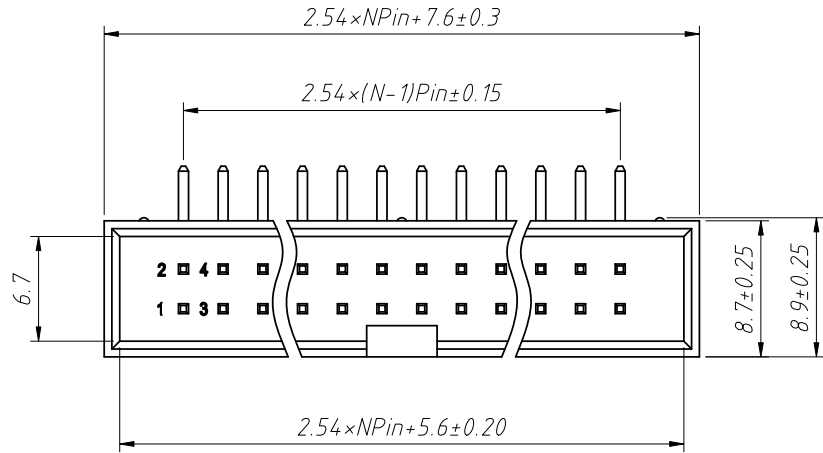
L: RoHS
Box Header Series
202: 2.54mm Pitch
XX-No. of 06 ~ 64 pin
Type: S-Straight pin
R-Right Angle Pin T-SMT
Color: B-Black G-Gray
Material: NONE=PBT B=PA6T

ANGLE TOLERANCE	PROJECTION	Description:	2.54mm Pitch Box Header Connector
±3°			
GENERAL TOLERANCE	UNITS	mm	KLS P/N:
x.x ±0.30	SHEET SIZE	A4	L-KLS1-202-XX-S-B-□
x.xx ±0.20	Draw:	Daniel	2018-07-10
x.xxx ±0.10	Check:	Daniel	2018-07-10



NingBo KLS ELECTRONIC CO., L TD.

1 RoHS Compliance

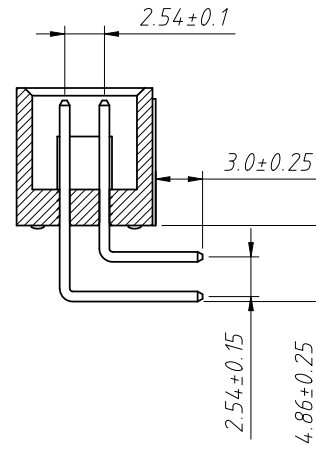
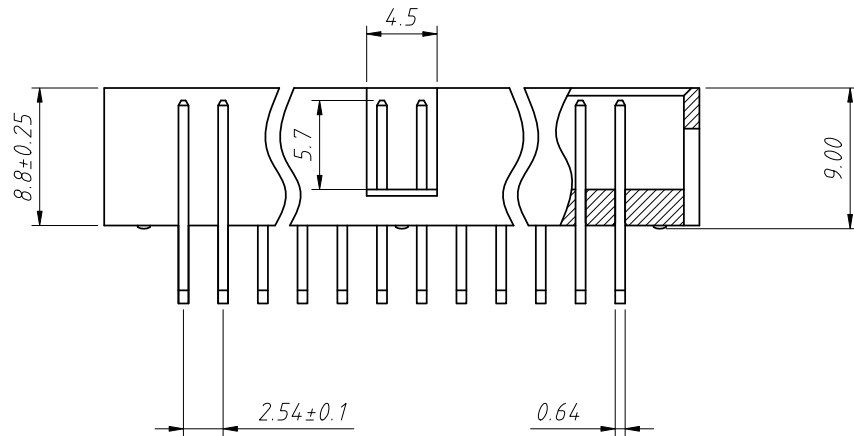


Material:
 Housing: PBT, UL 94 V-0
 Contact: Brass
 Plating: Gold flash plated

Electrical Characteristics:
 Rated Current: 3.0AMP
 Contact Resistance: 20mΩ Max
 Withstand Voltage: 1000V AC/DC
 Insulator Resistance: 1000MΩ Min

Mechanical
 Operating Temperature: -40°C ~ +105°C
 Max. Processing Temp: 180°C for 30-60 seconds (200°C for 10 seconds)

Recommended P.C.B Layout (Top Side)
 (PCB BOARD TOLERANCE ±0.05)



Order Information:

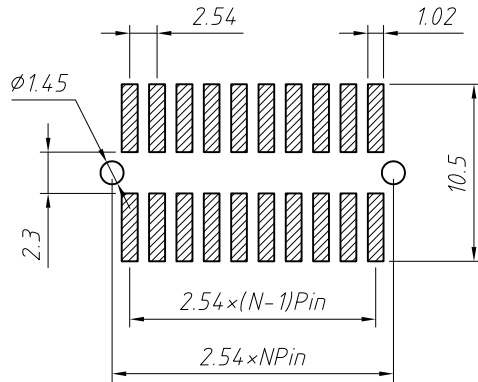
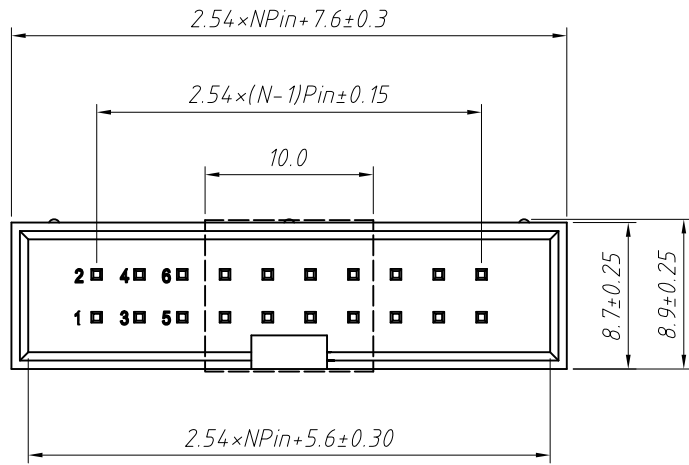
L-KLS1-202-XX-R-B-□

L: RoHS
 Box Header Series
 202: 2.54mm Pitch
 XX: No. of 06 ~ 64 pin
 Type: S - Straight pin
 R - Right Angle Pin T - SMT
 Color: B - Black G - Gray
 Material: NONE = PBT B = PA6T

ANGLE TOLERANCE	PROJECTION	Description:
±3°		2.54mm Pitch Box Header Connector
GENERAL TOLERANCE	UNITS	mm
x.x ±0.30	SHEET SIZE	A4
x.xx ±0.20	Draw:	Daniel 2018-07-10
x.xxx ±0.10	Check:	Daniel 2018-07-10

KLS NingBo KLS ELECTRONIC CO.,LTD.

1 RoHS Compliance

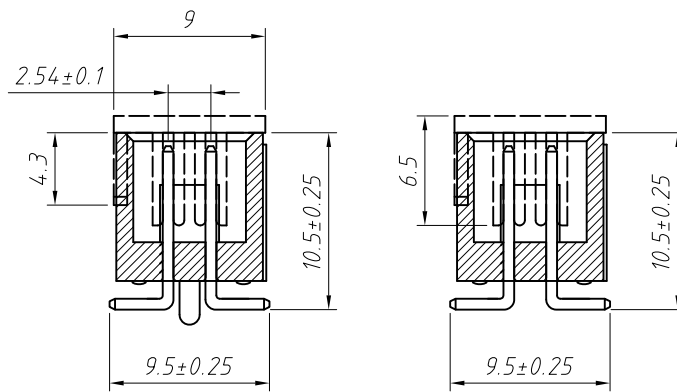
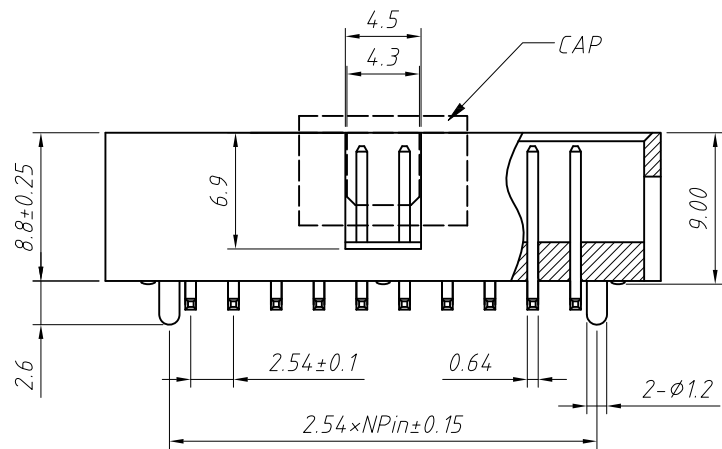


Recommended P.C.B Layout (Top Side)
(PCB BOARD TOLERANCE ± 0.05)

Material:
 Housing: PA6T, UL 94V-0
 Contact: Brass
 Plating: Gold flash plated

Electrical Characteristics:
 Rated Current: 3.0AMP
 Contact Resistance: $20m\Omega$ Max
 Withstand Voltage: 1000V AC/DC
 Insulator Resistance: $1000M\Omega$ Min

Mechanical
 Operating Temperature: $-40^{\circ}C \sim +105^{\circ}C$
 Max. Processing Temp: $230^{\circ}C$ for 30-60 seconds ($260^{\circ}C$ for 10 seconds)



T3=With Post

T=Without Post

Order Information:
 L-KLS1-202-XX-T-B-B-T
 L: RoHS
 Box Header Series
 202: 2.54mm Pitch
 XX-No. of 06 ~ 64 pins
 SMT: T=Without Post
 T3=With Post
 Color: B-Black G-Gray
 Material: B=PA6T
 Packing:
 T=Tube P=Tube+Cap R=Reel+Cap

ANGLE TOLERANCE	PROJECTION	Description:
$\pm 3^{\circ}$		2.54mm Pitch Box Header Connector
GENERAL TOLERANCE	UNITS	mm
x.x ± 0.30	SHEET SIZE	A4
x.xx ± 0.20	Draw:	Daniel 2018-07-10
x.xxx ± 0.10	Check:	Daniel 2018-07-10

L-KLS1-202-XX-T-B-B-T



NingBo KLS ELECTRONIC CO.,LTD.