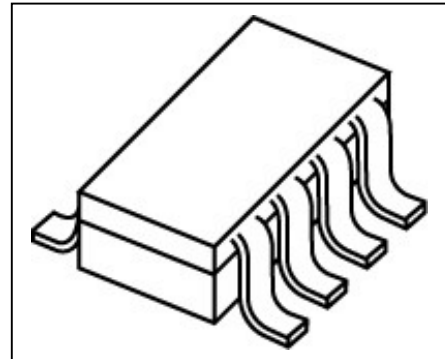




# Low Drop-out Backlight Driver for LED

## Features

- I 3 constant-current output channels
- I 320mV dropout at a 20mA load
- I High efficiency, up to 92%
- I Adjustable output current: 15~ 25 mA
- I 3V to 5.5V Supply Voltage Range
- I Tiny 8-pin SOT package



SOT28

## Applications

- I Handheld Devices
- I Cellular Phones
- I PDAs
- I Digital Cameras

## General Description

The MBI1011, a low dropout constant current driver, provides three regulated current sources. It is designed to drive three LEDs with matched currents (within 5 %) to produce balanced light sources for backlight applications. The MBI1011 accepts an input voltage range from 3V to 5.5V and maintains a constant current up to 25mA determined by an external resistor, R1. It is ideal for driving LEDs whose light intensity is proportional to the current passing through, not upon the voltage across their terminal. The low voltage dropout also significantly improves power efficiency.

The MBI1011's high efficiency, ease of use, and spacing-saving 8-pin SOT28 package fits most of portable applications which requires uniform LED illumination.

## Typical Application Circuit

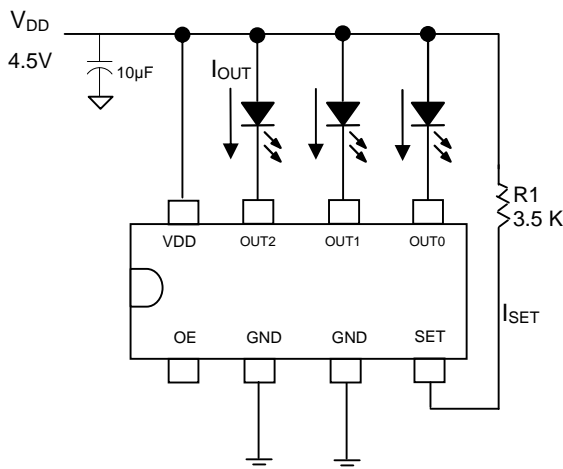


Fig. 1 Typical Application Circuit