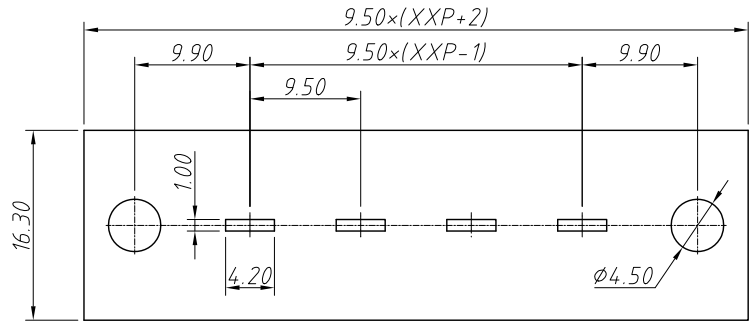
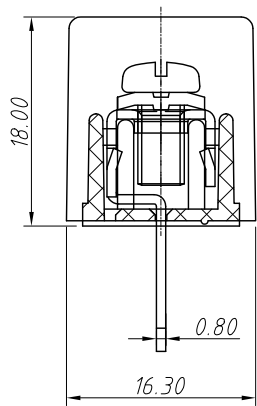
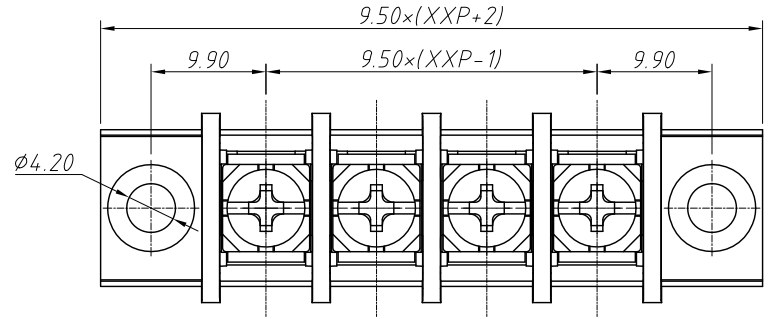


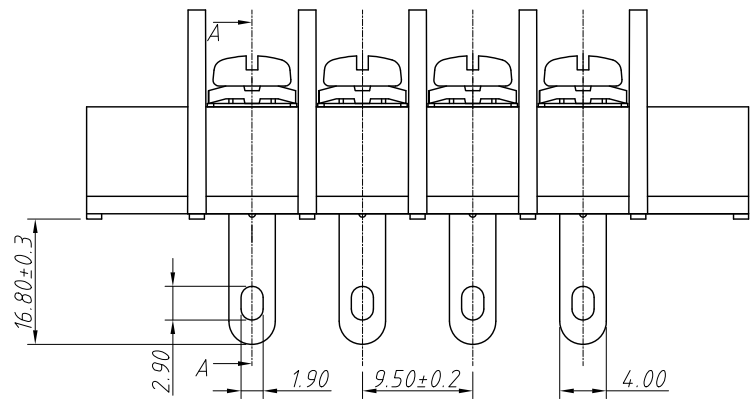
RoHS Compliance



Recommended PCB Layout
Tolerance: ±0.05mm



Section A-A



REV	SYM	Revision Record	Appr.	Date
V0	KLS02006	New Version Release	WuHao	2025-08-29
Electrical		UL	IEC	
Rated Voltage		300V	450V	
Rated Current		20A	24A	
Withstand Voltage		2000V/1 min	---	
Wire Range		22~12 AWG	2.5mm ²	

Material and other:
 Housing: PA66, UL94V-0
 Screw: Steel, M4/Ni Plated
 Pin: Copper Alloy, T=0.8, Tin Plated
 Torque: 1.2N.m
 Operating Temperature: -40°C ~ +105°C
 Max Soldering: 250°C, For 5s
 Insulation Resistance: 500MΩ Min / DC 500V
 Contact Resistance: 20mΩ Max

Order Information
 L-KLS2-45C-9.50-02P-A

RoHS
 Terminal Block
 R-Right angle pin
 Pitch: 9.50mm
 No.: Of (02~24) Pin
 A=With Ears

ANGLE TOLERANCE	PROJECTION	Description:
±3°		Pitch 9.50mm Barrier Terminal Block
GENERAL TOLERANCE	UNITS	mm
.x ±0.30	SHEET SIZE	A4
.xx ±0.20	Draw:	WuHao 2025-08-29
.xxx ±0.10	Check:	Daniel 2025-08-29
KLS P/N:		L-KLS2-45C-9.50-XXP-A

