

The logo for DONE, featuring the word "DONE" in a bold, teal, sans-serif font. The letter "D" is stylized with a white circular element inside its top curve. The logo is enclosed in a thin teal rounded rectangular border.

DONE

PXG SERIES LED DRIVERS

DL-240Z-A/S/X/CX-PXG SPEC V1.1

Features

- Class I structure
- Input voltage: 100-277V ~ 50/60Hz
- Efficiency :95% (Typ.)
- Constant current output control mode,with constant power limitation
- Metal shell structure, protection grade: IP42
- Lightning level: differential mode 6kV, Common mode 10kV
- Only for X version: standby power \leq 0.5W@ dim-off state
- Function selection:
 - Output current is adjusted by external potentiometer (whole series)
 - Isolation dimming function: 3-in-1 dimming (0-10V, PWM, resistance) (S version)
 - Isolation Auxiliary Power supply (X version) :12VDC 300mA
- Lifetime design: 5 years



Applications

Road lighting、 Industrial lighting、 Venue lighting
 Floodlight lighting、 Landscape lighting 、 Plant lighting



Model list

Model NO.	Input voltage	Output power	Output voltage	The default current	Eff.	THD.	PF
DL-240Z-260A-PXG	100-277V 50/60Hz	240W	180-260Vdc	1.05A	\geq 95%	\leq 7%	\geq 0.97
DL-240Z-260S-PXG							
DL-240Z-260X-PXG							
DL-240Z-260CX-PXG							

Note:

1. Test conditions of the above parameters: Ta=25°C, 230Vac input, full load operation for 30 minutes;
2. When the input is 100-277Vac, the rated power is 240W, and special attention should be paid to the application;
3. When the input is less than 108V, users must reduce the output power to within 120W.

Please refer to "THE OUTPUT POWER VS INPUT VOLTAGE" curve chart for details.



Input characteristics

Parameter	Min	Typ.	Max	Note
Rated input voltage	100Vac	230Vac	277Vac	-
Input voltage range	90Vac	-	305Vac	-
Rated frequency	47Hz	50/60Hz	63Hz	-
Power factor	-	0.97	-	@230Vac full load
	-	0.92	-	@277Vac full load
T.H.D.	-	-	7%	@230Vac full load
	-	-	20%	@277Vac 70% load
Input current	-	-	2.7A	@100Vac full load
Inrush current	-	-	120A	@230Vac, cold start (25°C)

Output characteristic

Parameter	Min	Typ.	Max	Note
Rated current DL-240Z-260A/S/X/CX-PXG	-	0.92A	-	The load is 260VDC
Output current range DL-240Z-260A/S/X/CX-PXG	0.75A	-	1.25A	External potentiometer is adjustable
Output voltage range DL-240Z-260A/S/X/CX-PXG	180V	-	260V	Constant power range: 200-260VDC
Constant power output voltage range	200V	-	260V	Maximum output power 240W
Constant current output voltage range	180V	-	260V	Maximum output current 1.25A
No-load voltage DL-240Z-260A/S/X/CX-PXG	-	-	300V	-
Efficiency@100Vac DL-240Z-260A/S/X/CX-PXG	-	89%	-	@100Vac full load
Efficiency@230Vac DL-240Z-260A/S/X/CX-PXG	-	95%	-	@230Vac full load

Output characteristic

Parameter	Min	Typ.	Max	Note
Ripple of output current	-	5%	-	full load
Accuracy of output current	-5%	-	+5%	full load
Line regulation	-5%	-	+5%	full load
Load regulation	-5%	-	+5%	full load
Starting time	100ms	-	1000ms	@100-277Vac full load

Note: The output current range is limited by the input and output Voltage, Please refers to “I-V WORKING AREA” for details;

Dimming Characteristic

Dimming function		Min	Typ.	Max	Instructions
0-10V Dimming (Optional)	Safe applied voltage range	0V	-	12V	Refer to note 2
	Rated dimming voltage range	0V	-	10V	-
	Dimming output range	0	-	100%	-
PWM Dimming (Optional)	PWM high level	9.5V	-	10.5V	-
	PWM low level	0	-	0.3V	-
	PWM frequency band	300Hz	-	2000Hz	-
	PWM duty cycle	0	-	99%	-
Resistor Dimming (Optional)	External resistance value	0KΩ	-	100KΩ	-
	Dimming output range	0	-	100%	-

- Note:**
- Output current of dimming port: 100uA (typical value).
 - The dimmer port can withstand a maximum voltage of 12V. If the voltage of the external power supply exceeds 12V or the signal cable is reversed, the power supply may be damaged.

Protection

Function	Function instructions
Output short-circuit protection	Hiccup mode: recovers automatically after fault condition is removed
Overtemperature protection	Self-recovery type: when the housing temperature is greater than 95°C, the output power decreases gradually.
Output overvoltage protection	Protection mode: Hiccup mode or clamped in output highest voltage , the product is not damaged, LED driver works normally after fault condition is removed.

Note: Unless otherwise specified, all specifications and parameters shall be measured at the conditions of 230Vac (50Hz), rated load and 25°C of ambient temperature;

Environmental

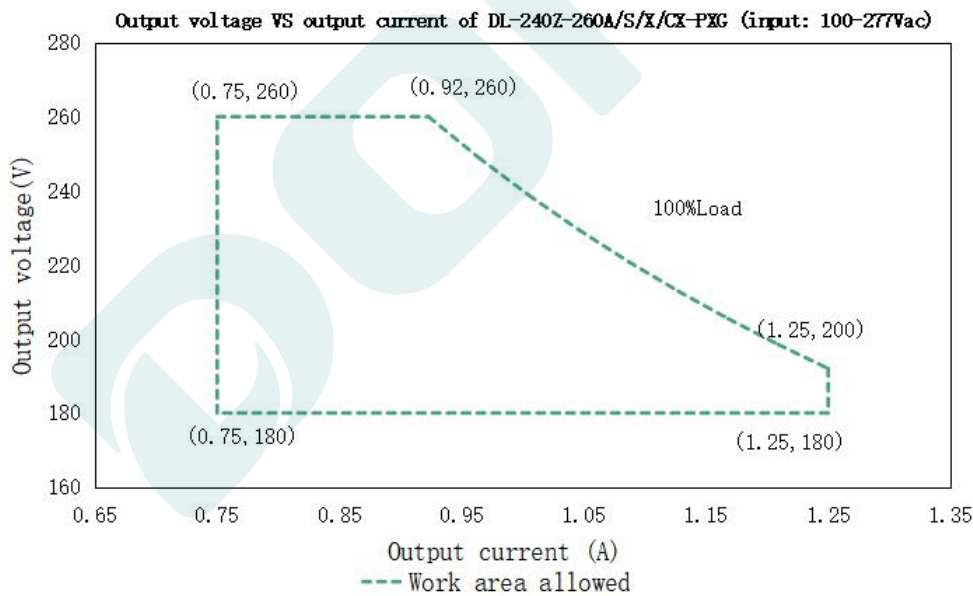
Environmental categories	Parameter
Working temperature	-40 ~ +55°C @100-277Vac(refer to "Life Curve ")
Safe shell temperature	-40 ~ 90°C
Working humidity	20 ~ 95% RH, non-condensing
Storage temperature、 humidity	-40~+90°C, 10 ~ 90% RH
Resistant to vibration	10 ~ 500Hz, 5G 12 min/cycle, X, Y, Z axis 72 min each
MTBF	500Khrs min. MIL-HDBK-217F (Ta=25°C)
Lifetime	70000 hours @ casing temperature ≤75°C,230Vac,100% load,Please refer to Lifetime VS Tcase curve for details

Safety and EMC

Safety categories	Standard
Safety	EN61347-1、EN61347-2-13、IEC61347-1、IEC61347-2-13、AS/NZS61347.1、AS61347.2.13、EN 62384、UL8750
EMC	EN 55015、EN 61000-3-2 、 EN 61000-3-3
Surge protection	Differential L/N ± 6 KV (2Ω), Common L/N-PE± 10 KV (12Ω) Refer to IEC61000-4-5 2014
High-pot test	I/P-PE :1.5KVac
Insulation impedance	I/P-PE:100MΩ / 500VDC; O/P-PE:100MΩ / 500VDC / 25°C/ 70% RH
Leakage current	< 0.7mA @277Vac

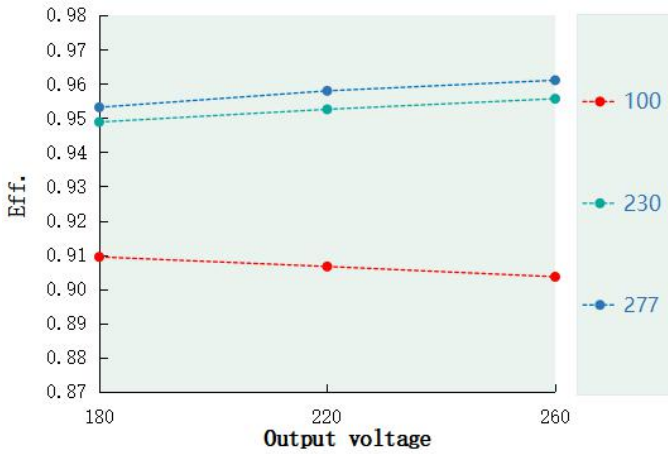
- Note:**
1. Attention! As a component of the whole, the EMC performance of the final product is not only decided by the driver, even if the driver is well-designed and fulfil all the required compliance. The final equipment manufacturers must re-qualify EMC Directive on the complete product.
 2. Because of the restart of OVP, to keep well connection of the load is recommended

I-V Working area

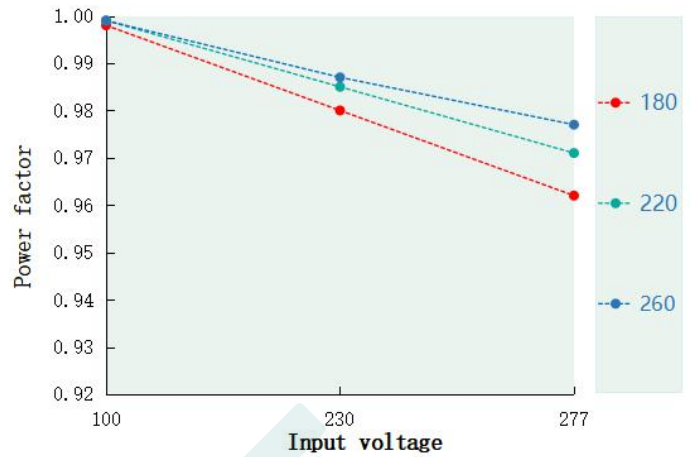


Load	Output								
Load working Voltage	180V	190V	200V	210V	220V	230V	240V	250V	260V
Io_MAX	0.96A	0.95A	0.95A	0.94A	0.93A	0.93A	0.93A	0.92A	0.92A
Po_MAX	172W	180W	190W	197W	206W	214W	223W	230W	240W

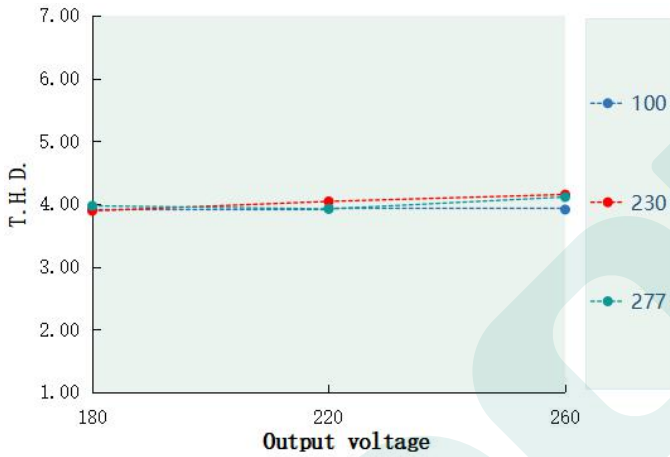
Eff. VS Output voltage (DL-240Z-260A/S/X/CX -PXG)



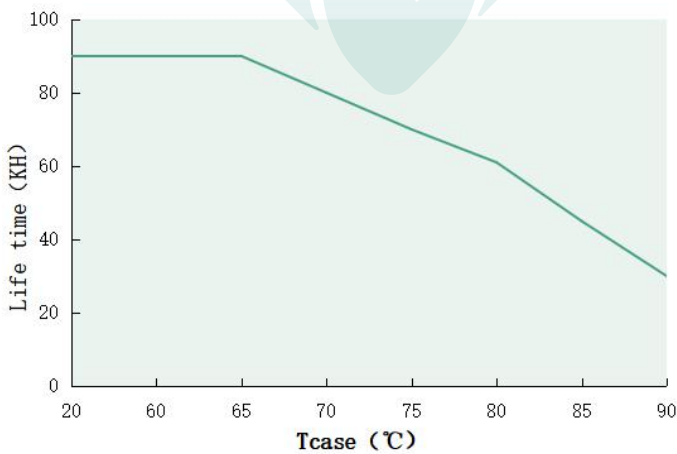
Power Factor VS Input Voltage (DL-240Z-260A/S/X/CX -PXG)



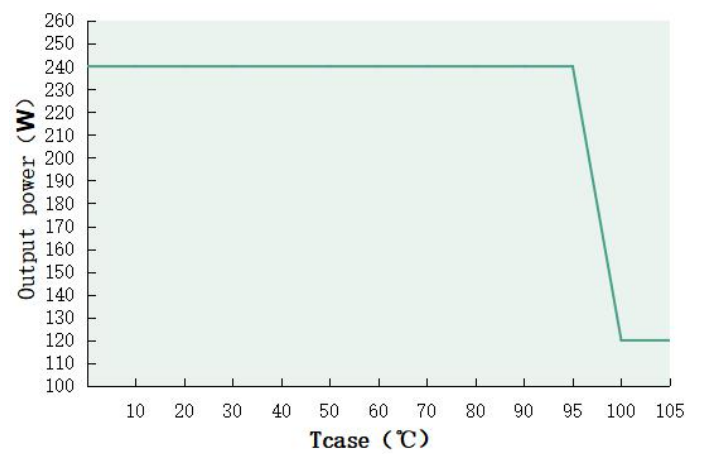
T.H.D. VS Output voltage (DL-240Z-260A/S/X/CX -PXG)



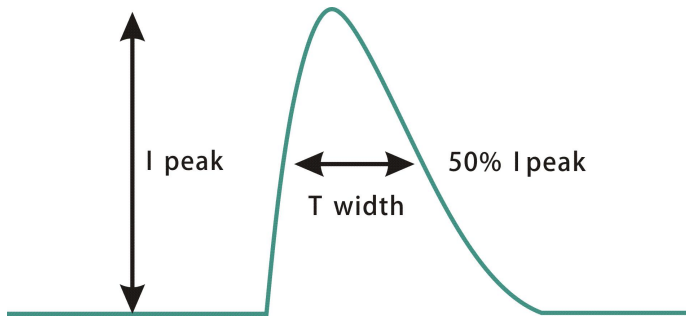
Lifetime VS Tcase (DL-240Z-260A/S/X/CX -PXG)



Output power VS Tcase (DL-240Z-260A/S/X/CX -PXG)

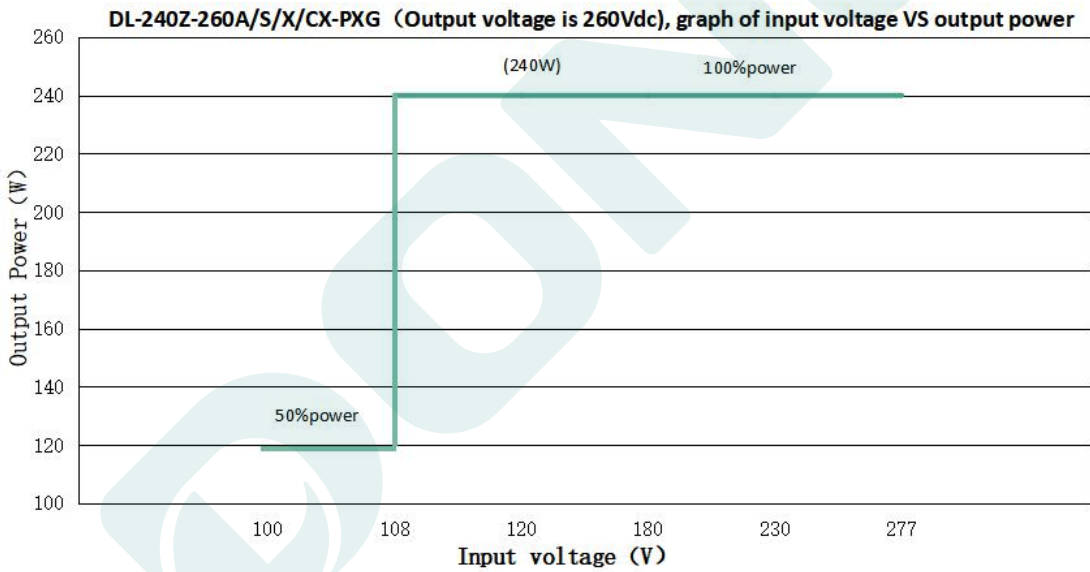


Inrush Current (DL-240Z-260A/S/X/CX -PXG)



Input voltage	Peak current	T(@50% Peak current)
100Vac	43.8A	366us
230Vac	61.8A	370us
277Vac	96A	359us

Output power VS Input voltage



DL-240Z-260A/S/X/CX-PXG(When the output voltage is 260Vdc, the rated output current value and output power corresponding to different input voltage)

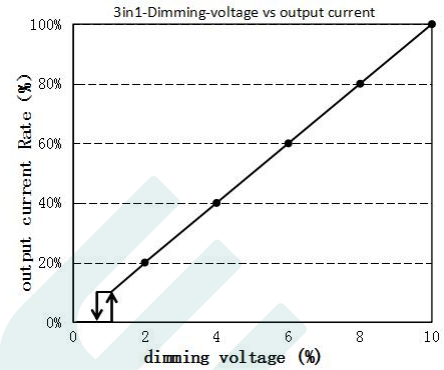
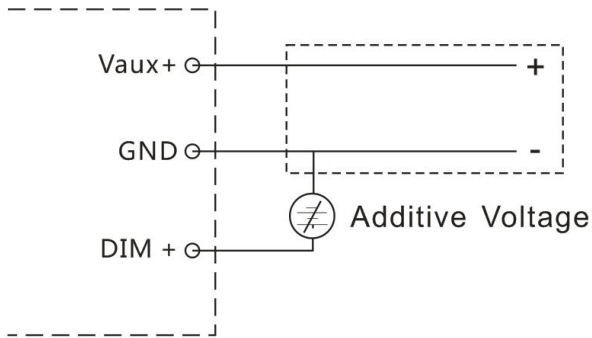
Input Voltage	100Vac	108Vac	120Vac	180Vac	230Vac	277Vac
Iout	0.46A	0.46A	0.92A	0.92A	0.92A	0.92A
Pout	120W	120W	240W	240W	240W	240W

Dimming operation

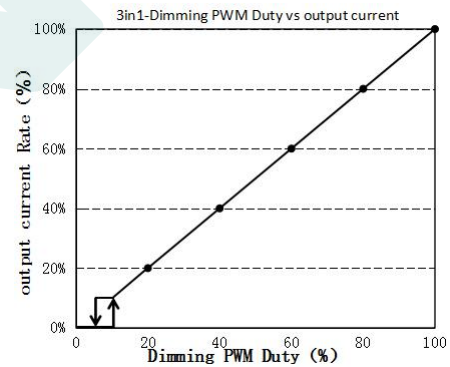
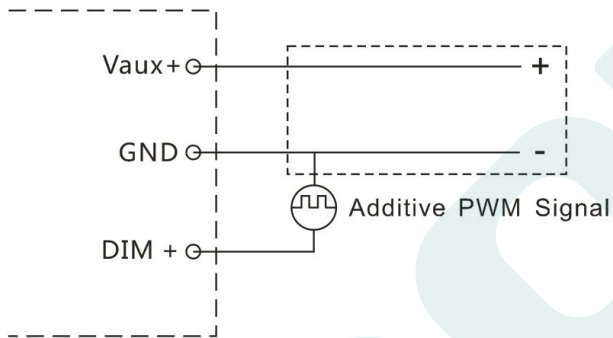
※ Three-in-one dimming function (S/X/CX version)

- A. Connect a resistor 0-100K or 0-10V DC voltage or 10V PWM signal between DIM+ and GND to adjust the output current.
- B. Output current of dimming port: 100uA (typical value).

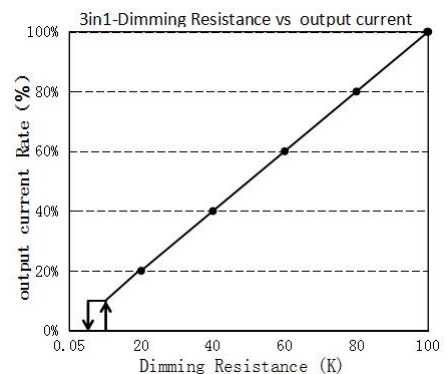
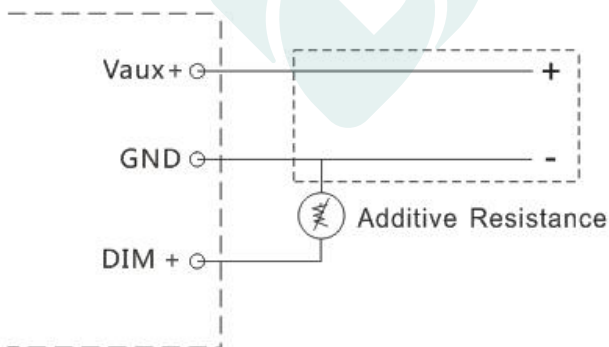
⊙ Applied voltage of 0-10V:



⊙ Applying additive 10V PWM signal (Frequency range: 300Hz-2K Hz) :



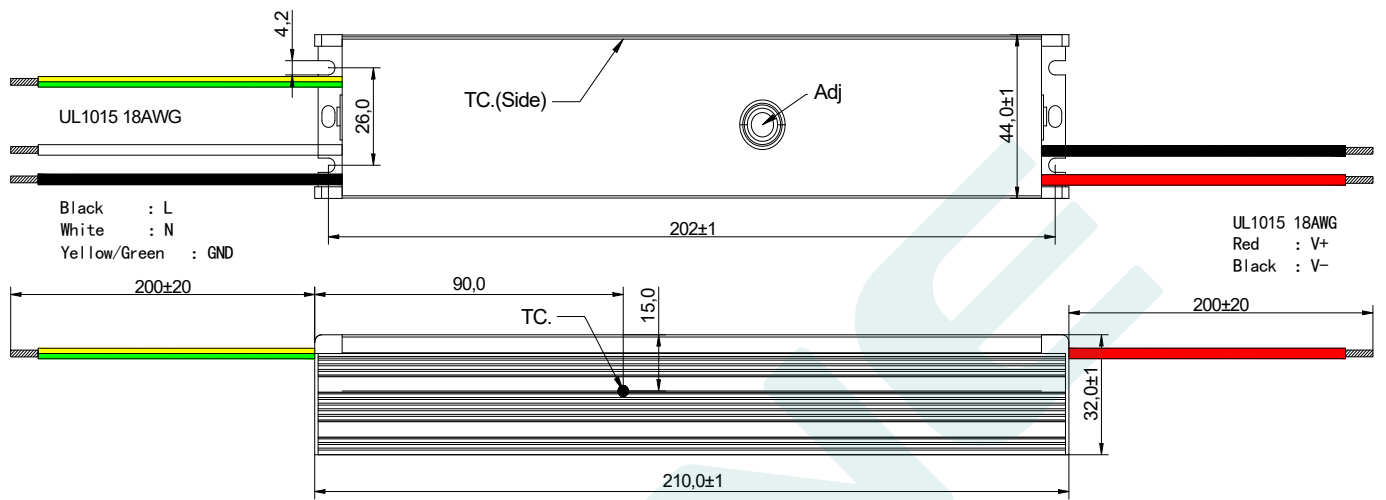
⊙ Applied an additional 0-100K resistor:



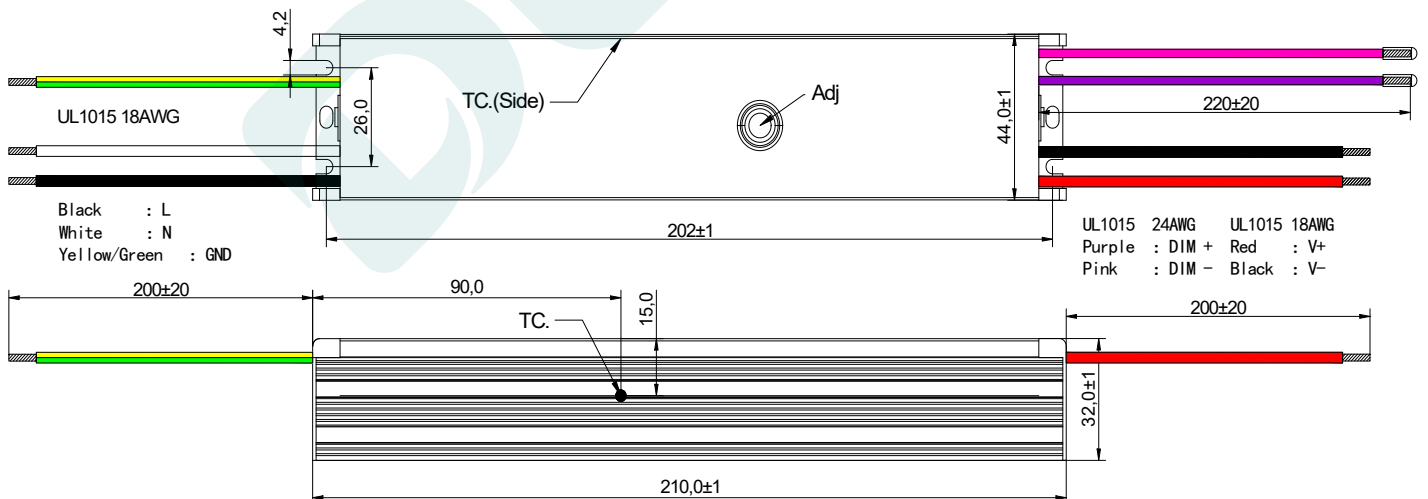
Mechanical Specification

Dimension (mm) L210*W44*H32

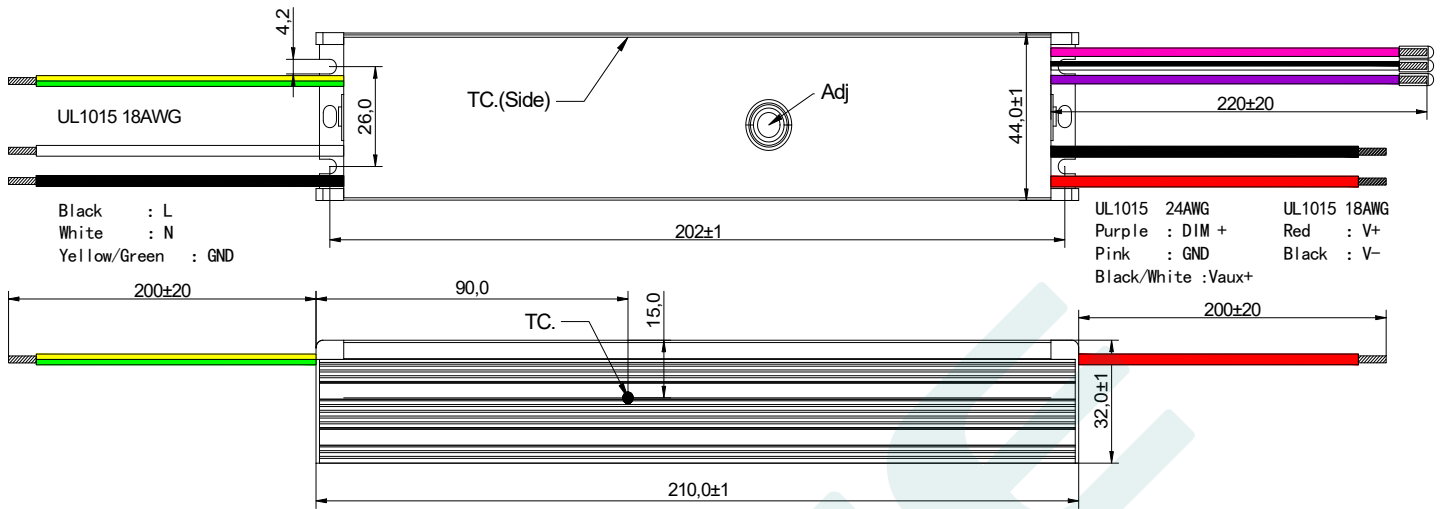
DL-240Z-260A-PXG



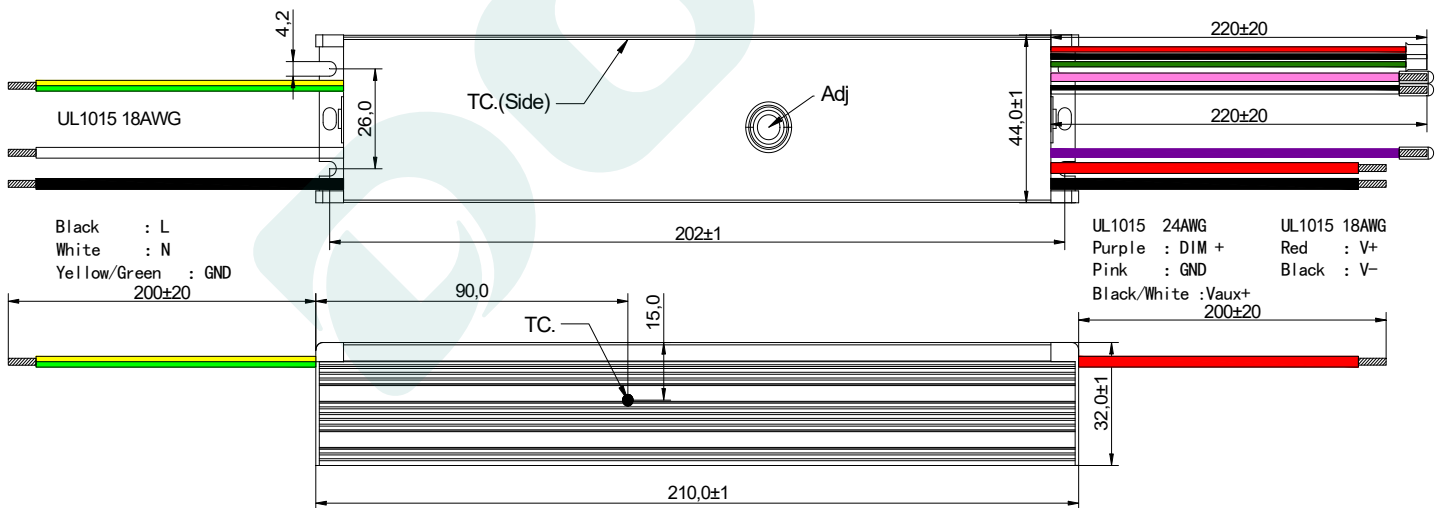
DL-240Z-260S-PXG



DL-240Z-260X-PXG



DL-240Z-260CX-PXG(Light-Operated)



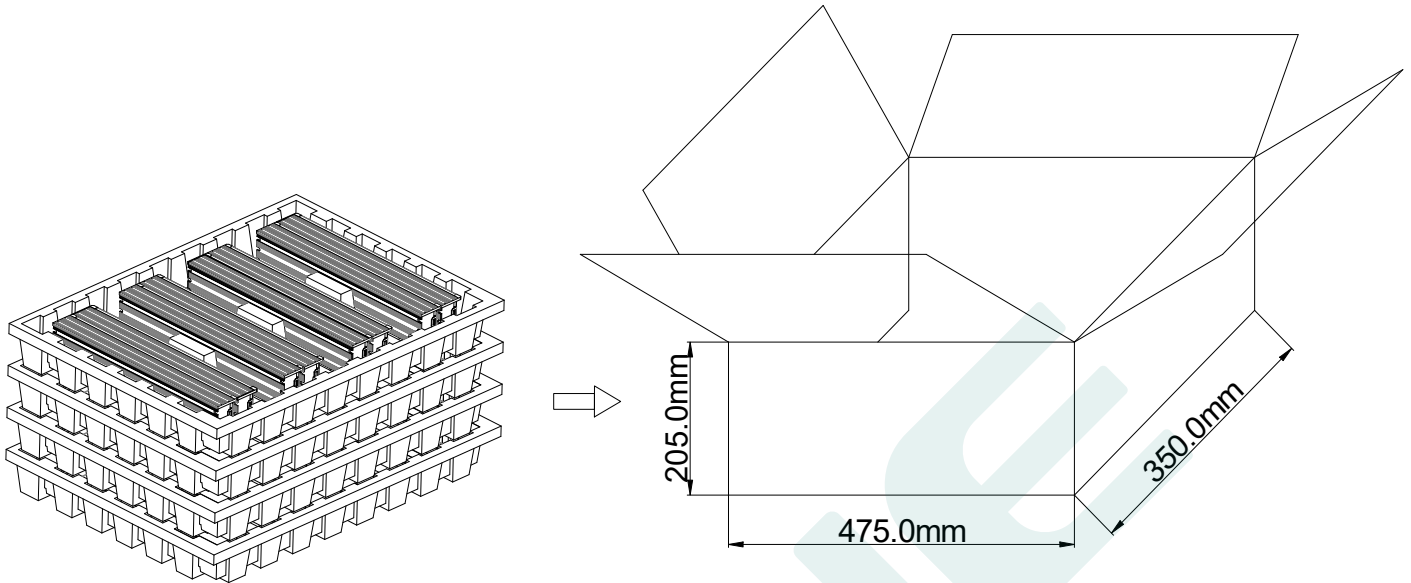
Weight

Weight 550 g

Packaging

BOX (mm)

L475*W350*H205



Note: One Carton 4 layers and 8 pcs each layer, total 32pcs/carton.

Note:

1. According to the certificate obtained by the LED DRIVER, the LED DRIVER with the English label is sold in Europe, America and India.
2. The LED DRIVER with Chinese label is only used for China market.



Revise & Version

DATE	DESCRIPTION	REV.	CHECK
2025.1.11	Initial version.	V1.0	
2025.4.23	Update Package	V1.1	

MANUFACTRUER

EDIT	CHECK	APPROVE

