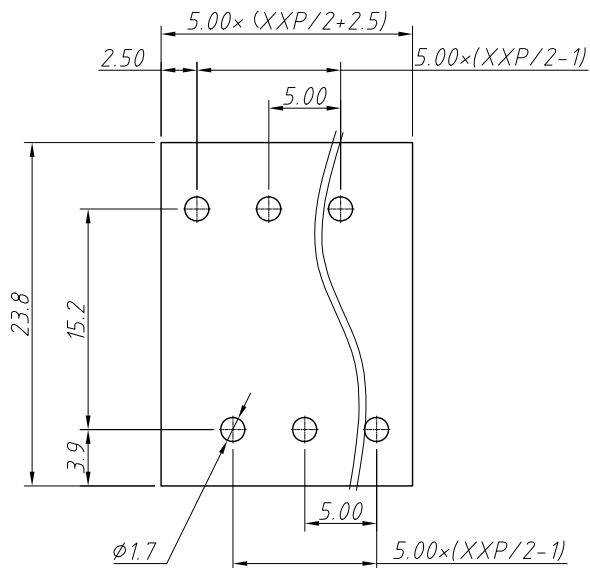
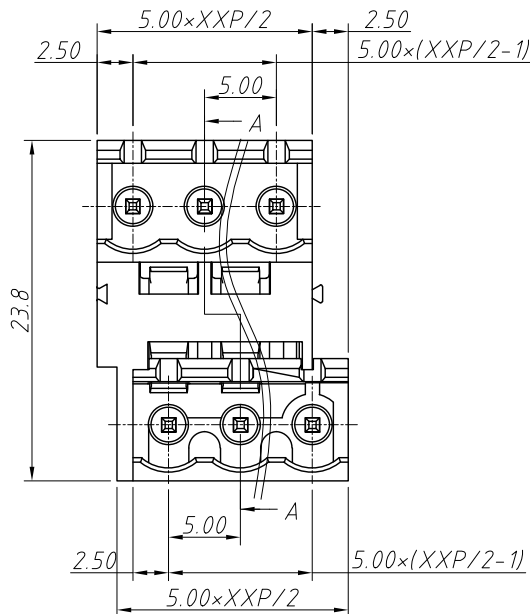
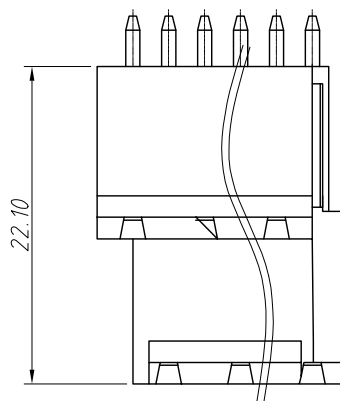
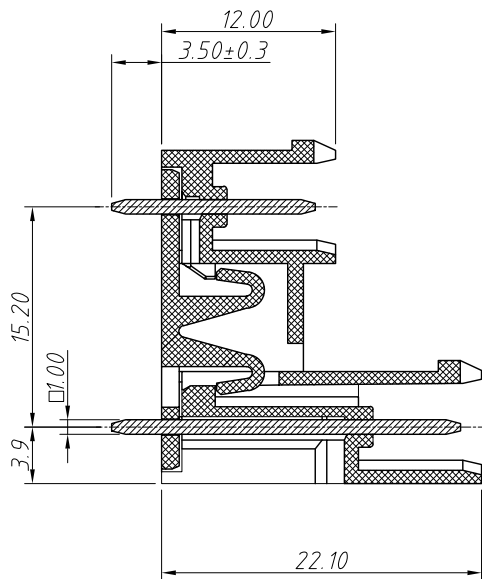


1 RoHS Compliance



Recommended PCB Layout



REV	SYM	Revision Record	Appr.	Date
V0	KLS02006	New Version Release	WuHao	2024-10-30

Electrical Characteristics	UL	IEC
Rated Voltage	300V	450V
Rated Current	15A	17.5A
Withstand Voltage	AC2000V/1 min	---

Material and other:  
Housing:PA66, UL 94V-0  
Pin Header:Copper Alloy,Sn Plated  
Temp.Range:-40°C ~ +105°C  
Soldering:+250°C For 5 Sec Max

Order Information

L-KLS2-EDCV-5.00-XXP-X

RoHS  
Terminal Block  
Pitch:5.00mm  
No.:Of (04~48) Pin  
Color:  
1=Gray 2=Blue 3=Black  
4=Green 5=Orange 6=Red  
7=Transp 8=Yellow 9=White

ANGLE TOLERANCE	PROJECTION	Description:
±3°		Pitch 5.00mm Terminal Block
GENERAL TOLERANCE	UNITS	mm
0~30	±0.50	SHEET SIZE
30~60	±0.75	Draw:
60~90	±1.00	Check:
		KLS P/N:
		L-KLS2-EDCV-5.00-XXP-X
		WuHao 2024-10-30
		Daniel 2024-10-30



NingBo KLS ELECTRONIC CO.,LTD.