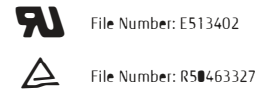
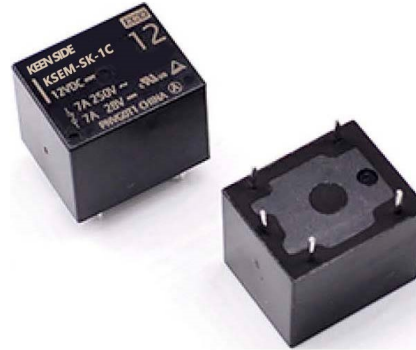


# KSEM-SK. SUGARCUBE RELAY

ECONOMIC

## FEATURES

- ▶ 19.0 X 15.2 X 15.4(H) MM.
- ▶ WIDELY USED T73 SUGAR CUBE RELAY.
- ▶ ECONOMIC RANGE, 10A MAX SWITCHING CAPACITY.
- ▶ 10A/7A IN BLACK CASE, 5A IN BLACK OR GREEN CASE.



CONTACT RATINGS			
Contact Form	1A, 1C		
Contact Resistance	≤100mΩ (1A 6VDC)		
Contact Material	Ag Alloy (AgSnO <sub>2</sub> , AgLaO, AgCdO)		
Rated Load (Resistive)	1A	1C	
		NO	NC
	10A 250VAC 7A 250VAC 7A 28VDC	10A 250VAC 7A 250VAC 7A 28VDC	5A 250VAC 5A 28VDC
Max. Switching Current	10A		5A
Max. Switching Power	2,500VA / 196W		1,250VA / 140W
Max. Switching Voltage	250VAC / 28VDC		
Min. Permissible Load	100mA at 5VDC		

CHARACTERISTICS			
Operate Time	≤ 10ms		
Release Time	≤ 5ms		
Insulation Resistance	100MΩ (500VDC)		
Dielectric Strength	I / O	O / O	
	1,500VAC 1min	750VAC 1min	
Impulse Withstand Voltage	4.5 kV (1.2 x 50μs)		
Shock Resistance	Non-energized	Destruction	Malfunction
	100 m/s <sup>2</sup> (10G)	1,000 m/s <sup>2</sup> (100G)	100 m/s <sup>2</sup> (10G)
Vibration Resistance	Destruction		Malfunction
	10 to 55 Hz, (1.5mm double amplitude)		10 to 55 Hz, (1.5mm double amplitude)
Ambient Temperature	Operating: -40°C to 105°C with no icing or condensation		
Ambient Humidity	Operating: 5% to 85%		
Pin Type	PCB Pins		
Weight	Approx. 9g		

NOTE: The data shown above are initial values.

COIL DATA					
Standard	Approx. 360mW				
Rated Voltage (VDC)	Operate Voltage (VDC)	Release Voltage (VDC)	Max. Voltage (VDC)	Nominal Current (mA)	Coil Resistance (Ω) ±10%
3	≤2.25	≥0.3	4.98	120	25
5	≤3.75	≥0.5	8.3	72	69.4
6	≤4.5	≥0.6	9.96	60	100
9	≤6.75	≥0.9	14.94	40	225
12	≤9	≥1.2	19.92	30	400
18	≤13.5	≥1.8	29.88	20	900
24	≤18	≥2.4	39.84	15	1,600
48	≤36	≥4.8	79.68	7.5	6,400

LIFE EXPECTANCY DATA		
Mechanical Life Expectancy	10,000,000 Operations	
Electrical Life Expectancy	FROM A	FORM C
	100,000 Operations (5A 250VAC Resistive Load, 1s ON / 9s OFF)	30,000 Operations (NO: 7A / NC: 5A 250VAC Resistive Load, 1s ON / 9s OFF)
	50,000 Operations (7A 28VDC Resistive Load, 1s ON / 9s OFF)	5,000 Operations (NO: 5A / NC: 3A 28VDC Resistive Load, 1s ON / 9s OFF)

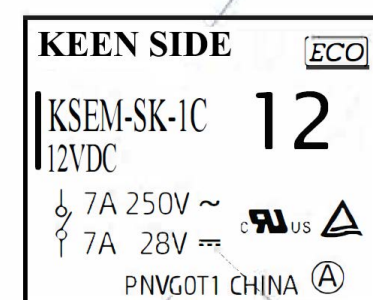
NOTE: The electrical life data items shown are possible at 23°C.

## PRINT LAYOUT

Below layout is for reference only.

TOP PRINTING

LASER PRINTED ON BLACK CASE (GREEN CASE optional)



Batch Code

Ordering Part Number

Certified Load

### SAFETY APPROVALS

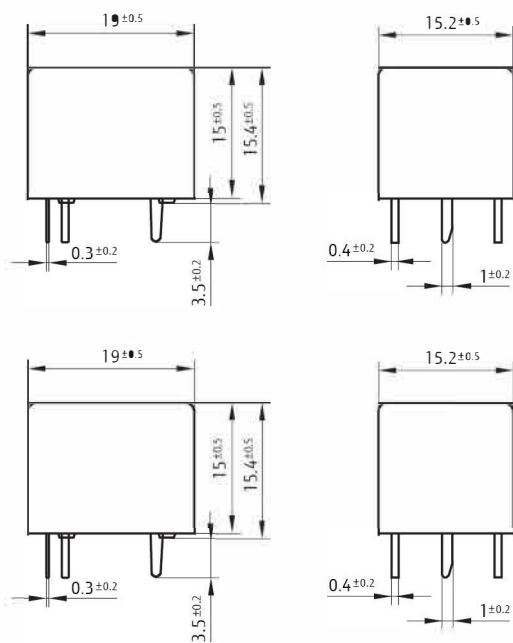
ULus / cUL	Coil Rating	Contact Rating	
	3 to 48VDC	NO 7A 250VAC / 28VDC 85°C 50,000 cycles	NC 7A 250VAC / 28VDC 85°C 50,000 cycles
TUV	Coil Rating	Contact Rating	
	3 to 48VDC	NO 7A 250VAC / 28VDC 85°C 100,000 cycles	NC 7A 250VAC / 28VDC 85°C 100,000 cycles

### ORDERING INFORMATION

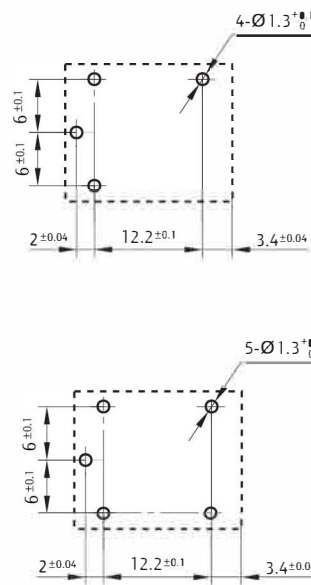
Type	Contact / Seal Key	Coil Key	
KSEM-SK-ECO	S 1 A	24 VDC	X / XX (3 ~ 48): Coil DC Voltage Value <b>Coil Voltage</b>
Seal Type	Nil: Flux Proof (RTII); S: Fully Sealed (RTIII)		
NO of Pole	1: Single Pole		A: Form A / Normally Open; C: Form C / Change Over <b>Contact Form</b>

### DIMENSIONS (UNIT: mm)

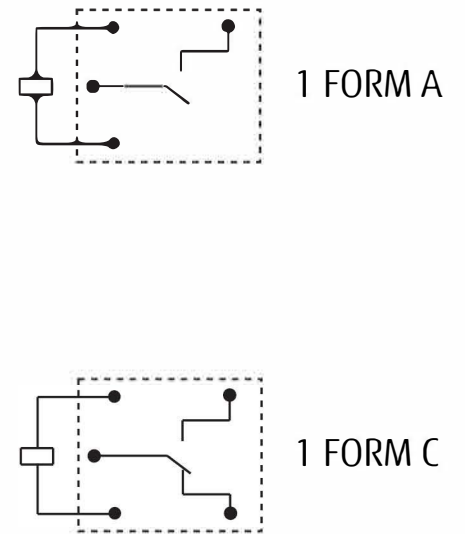
Outline Dimensions



PCB Layout (Bottom View)



Wiring Diagram



### PACKAGE INFORMATION

Package - PVC Tray	
Inner Package Type & Quantity	50Pcs Per PVC Tray
Outer Package Type & Quantity	1,000pcs per Carton with Logo and Sticker
Outer Package Dimension & Weight G.W. / N.W.	50 x 32 x 20 cm; 10Kgs / 9.2Kgs

2,000pccs paper cardboard tray available as an option.