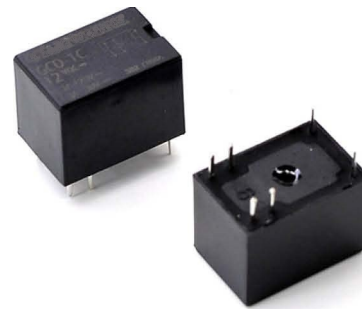


KSEM-CD TELECOM RELAY

FEATURES

- ▶ 15.7 X 11 X 12(H) MM.
- ▶ UP TO 3A MAX SWITCHING CAPACITY.
- ▶ HIGH SENSITIVE COIL, ONLY 0.2W.
- ▶ TINY IN SIZE.
- ▶ WIDELY USED IN TELECOM DEVICES.



CONTACT RATINGS

Contact Form	1C
Contact Resistance	≤100mΩ (1A 6VDC)
Contact Material	Ag Alloy (AgSnO ₂ , AgNi)
Rated Load (Resistive)	FORM C
	3A 125VAC / 3A 30VDC
Max. Switching Current	3A
Max. Switching Power	375VA / 90W
Max. Switching Voltage	125VAC / 30VDC
Min. Permissible Load	10μA at 10mVDC

CHARACTERISTICS

Operate Time	≤ 10ms		
Release Time	≤ 5ms		
Insulation Resistance	100MΩ (500VDC)		
Dielectric Strength	I / O	O / O	
	1,000VAC 1min	500VAC 1 min	
Shock Resistance	Non-energized	Destruction	Malfunction
	100 m/s ² (10G)	1,000 m/s ² (100G)	100 m/s ² (10G)
Vibration Resistance	Destruction		Malfunction
	10 to 55 Hz, (1.5mm double amplitude)		10 to 55 Hz, (1.5mm double amplitude)
Ambient Temperature	Operating: -40°C to +85°C with no icing or condensation		
Ambient Humidity	Operating: 5% to 85%		
Pin Type	PCB Pins		
Weight	Approx. 4g		

NOTE: The data shown above are initial values.

COIL DATA

Standard	Approx. 200mW (360mW available on request)				
Rated Voltage (VDC)	Operate Voltage (VDC)	Release Voltage (VDC)	Max. Voltage (VDC)	Nominal Current (mA)	Coil Resistance (Ω) ±10%
3	≤2.4	≥0.3	4.5	66.7	45
5	≤4	≥0.5	7.5	40	125
6	≤4.8	≥0.6	9	33.3	180
9	≤7.2	≥0.9	13.5	22.2	405
12	≤9.6	≥1.2	18	16.67	720
24	≤19.2	≥2.4	36	8.3	2,880

LIFE EXPECTANCY DATA

Mechanical Life Expectancy	10,000,000 Operations
Electrical Life Expectancy	FORM C
	100,000 Operations (1A 125VAC Resistive Load, 1s ON / 9s OFF)
	100,000 Operations (1A 30VDC Resistive Load, 1s ON / 9s OFF)

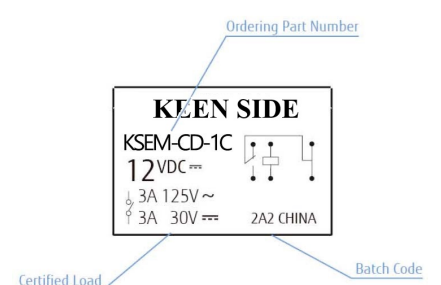
NOTE: The electrical life data items shown are possible at 23°C.

PACKAGE INFORMATION

Inner Package Type & Quantity	25Pcs Per PVC Tube
Outer Package Type & Quantity	2,000pcs per Carton with Logo and Sticker
Outer Package Dimension & Weight G.W. / N.W.	42 x 24 x 16 cm; 9.5Kgs / 8.5Kgs

TOP PRINTING

LASER PRINTING

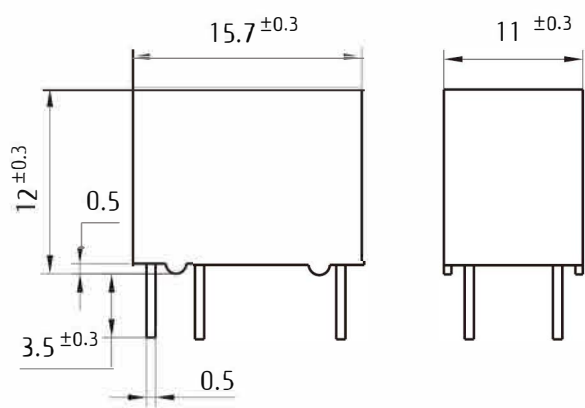


ORDERING INFORMATION

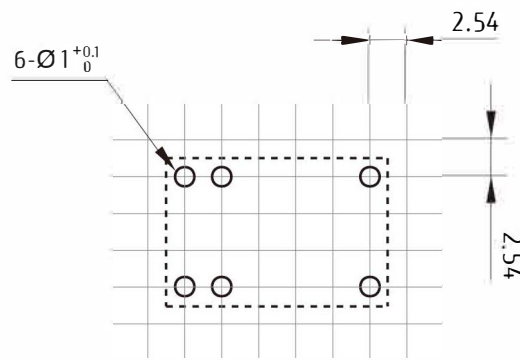
Type	Contact Key	Variation Key	Coil Key	
KSEM-CD	- 1 C	- K 2	24 VDC	
NO of Pole	1: Single Pole			Coil Voltage X / XX (3 ~ 24): Coil DC Voltage Value
Contact Form	C: Form C / Change Over			Customer Code Nil: Standard DIP; 2: 5 Pins
				Coil Power Nil: Standard 200mW; K: High Power 360mW

DIMENSIONS

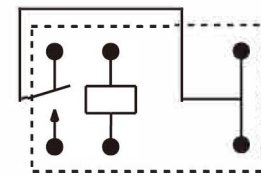
Outline Dimensions



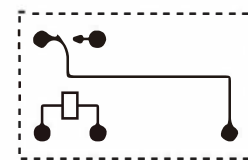
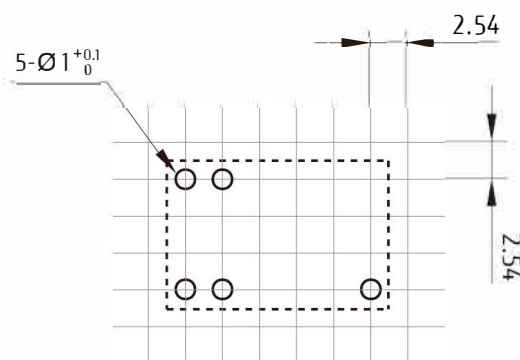
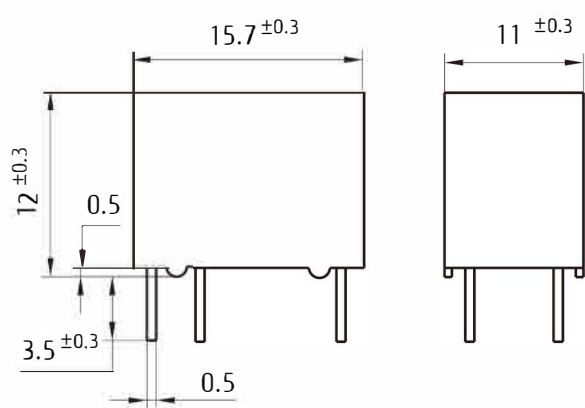
PCB Layout (Bottom View)



Wiring Diagram (Bottom View)



Standard DIP



-2 Type