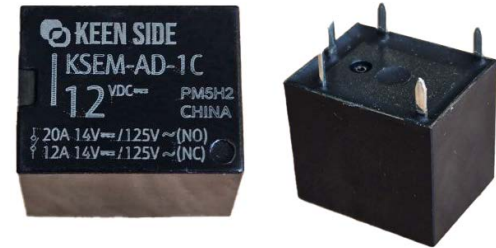


KSEM-AD. AUTOMOTIVE RELAY

FEATURES

- ▶ 15.7 X 12.5 X 14(H) MM.
- ▶ 30A CONTACT SWITCHING CAPACITY WITH 1 OR 2 POLE.
- ▶ TINY SIZE WITH AC LOAD SWITCH CAPABILITY.
- ▶ SUITABLE FOR LIGHT AND MOTOR CONTROL IN AUTOMOTIVE.
- ▶ UL CLASS H INSULATION AVAILABLE.



CONTACT RATINGS			
Contact Form	1A, 1C, 2A		
Contact Resistance	≤100mΩ (1A 24VDC)		
Contact Material	Ag Alloy (AgSnO ₂ , AgSnO ₂ In ₂ O ₃ , AgNi)		
Rated Load (Resistive)	FORM A	FORM C	
		NO	NC
	30A 16VDC (1A Type) 5A 125VAC (1A Type) 6A 16VDC (2A Type)	30A 16VDC	20A 16VDC
Max. Switching Current	30A	20A	
Max. Switching Power	625VA / 480W	320W	
Max. Switching Voltage	16VDC		
Min. Permissible Load	1A at 6VDC		

CHARACTERISTICS			
Operate Time	≤ 10ms		
Release Time	≤ 5ms		
Insulation Resistance	100MΩ (500VDC)		
Dielectric Strength	I / O	O / O	
	500VAC 1min	500VAC 1 min	
Flame-retardant Degree	UL94-HB or Above		
Shock Resistance	Non-energized	Destruction	Malfunction
	100 m/s ² (10G)	1,000 m/s ² (100G)	100 m/s ² (10G)
Vibration Resistance	Destruction		Malfunction
	10 to 500 Hz, (3.0mm double amplitude)		10 to 500 Hz, (3.0mm double amplitude)
Ambient Temperature	Operating: -40°C to 125°C with no icing or condensation		
Ambient Humidity	Operating: 5% to 85%		
Pin Type	PCB Pins		
Weight	Approx. 6g		

NOTE: The data shown above are initial values.

COIL DATA					
Standard	Approx. 0.6W				
Rated Voltage (VDC)	Operate Voltage (VDC)	Release Voltage (VDC)	Max. Voltage (VDC) 23°C	Nominal Current (mA)	Coil Resistance (Ω) ±10%
5	≤3.75	≥0.5	7.5	120	41.67
6	≤4.5	≥0.6	9	100	60
9	≤6.75	≥0.9	13.5	66.7	135
12	≤9	≥1.2	18	50	240
24	≤18	≥2.4	36	25	960

LIFE EXPECTANCY DATA		
Mechanical Life Expectancy	10,000,000 Operations (300 OPM)	
Electrical Life Expectancy	FORM A	FORM C
	1A TYPE: 50,000 Operations (20A 13.5VDC Motor Load, 0.5s ON / 9.5s OFF)	100,000 Operations (NO: 20A / NC: 10A 13.5VDC Motor Load, 0.5s ON / 9.5s OFF)
	1A TYPE: 50,000 Operations (5A 125VAC Resistive Load, 1s ON / 9s OFF)	50,000 Operations (NO: 30A / NC: 20A 13.5VDC Motor Load, 0.5s ON / 9.5s OFF)
	2A TYPE: 50,000 Operations (6A 13.5VDC Motor Load, 0.5s ON / 9.5s OFF)	

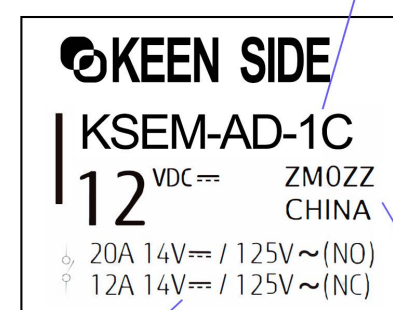
NOTE: The electrical life data items shown are possible at 23°C.

PRINT LAYOUT

Below layout is for reference only.

TOP PRINTING

LASER PRINTED ON BLACK CASE



Ordering Part Number

Batch Code

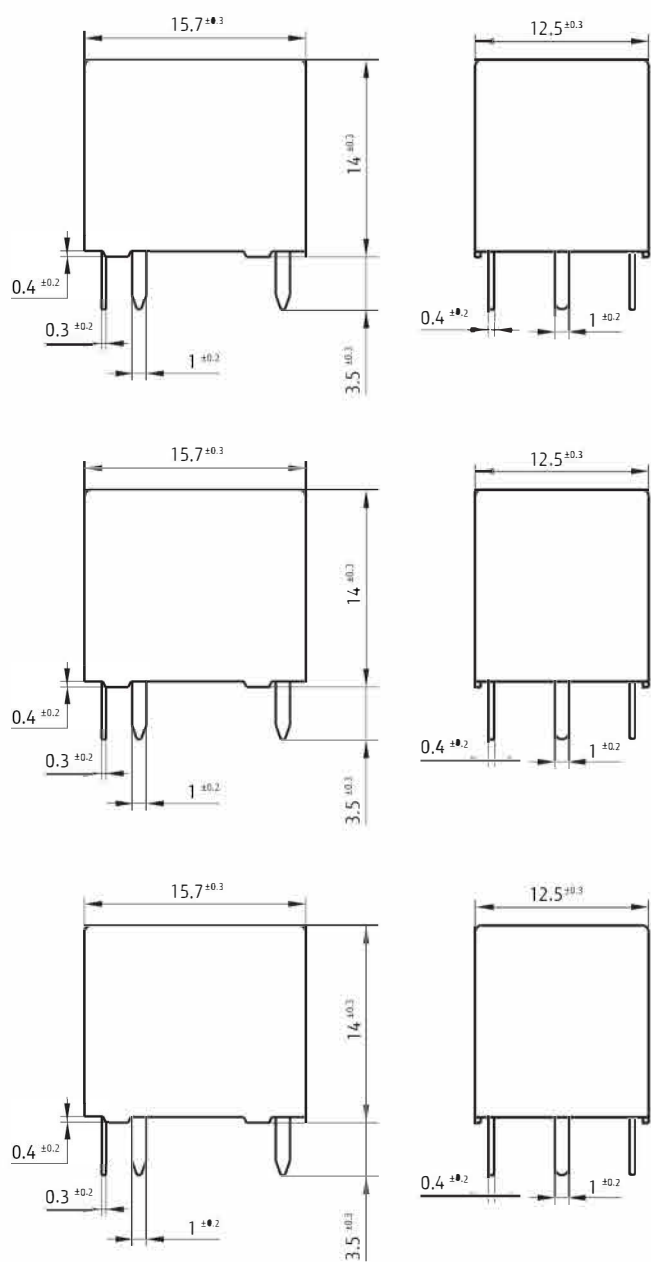
Load Rating

ORDERING INFORMATION

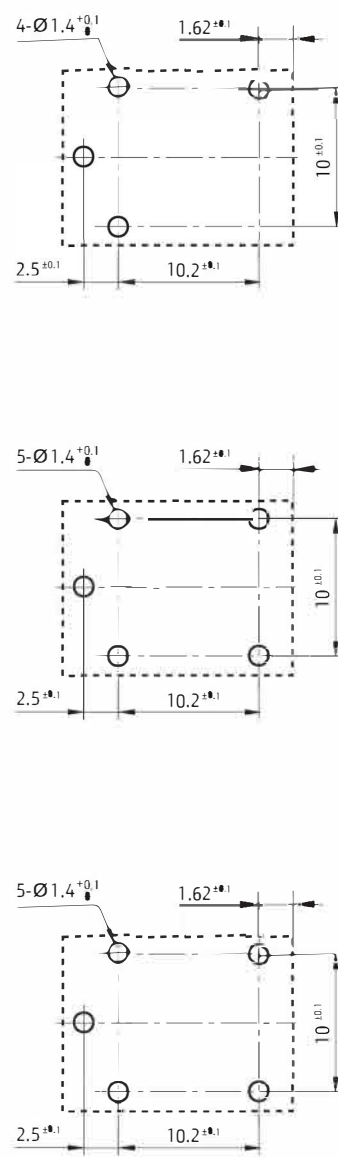
Type	KSEM-AD	Contact / Seal Key	S 1 A D	Coil Key	24 VDC	
						X / XX (5 ~ 24): Coil DC Voltage Value
Seal Type	Nil: Flux proofed; S: Sealed Type					Nil: Silver Alloy (AgSnO ₂ / AgSnO ₂ In ₂ O ₃); D: Silver Alloy (AgNi)
NO of Pole	1: Single Pole; 2: Double Pole					A: Form A; C: Form C

DIMENSIONS (UNIT: mm)

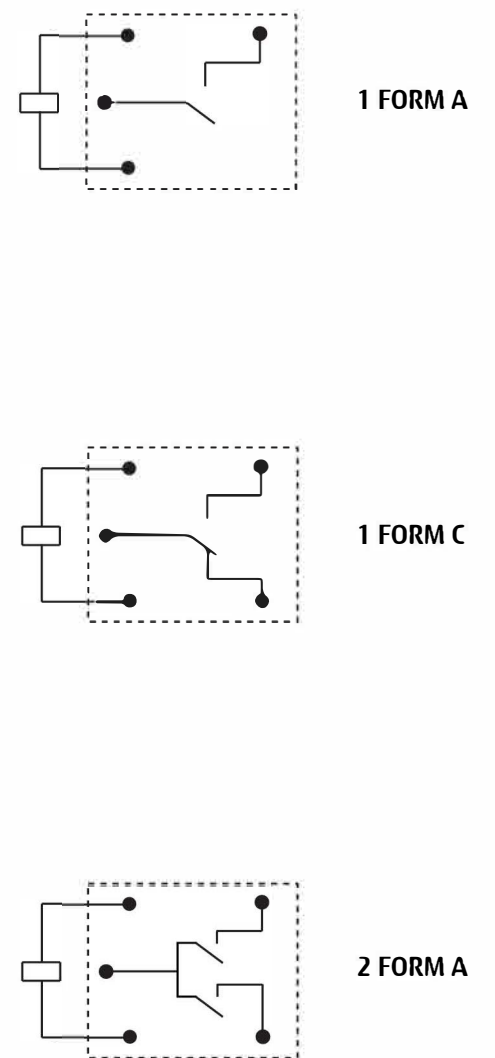
Outline Dimensions



Wiring Diagram



Pin Layout (Bottom View)



PACKAGE INFORMATION

Inner Package Type & Quantity	50Pcs Per Cardboard Pack
Outer Package Type & Quantity	2,000pcs per Carton with Logo and Sticker
Outer Package Dimension & Weight G.W. / N.W.	40 x 30 x 25 cm; 15.0KGs / 12.0KGs