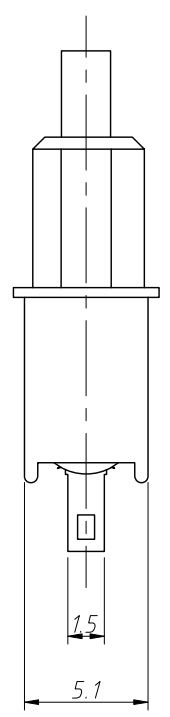
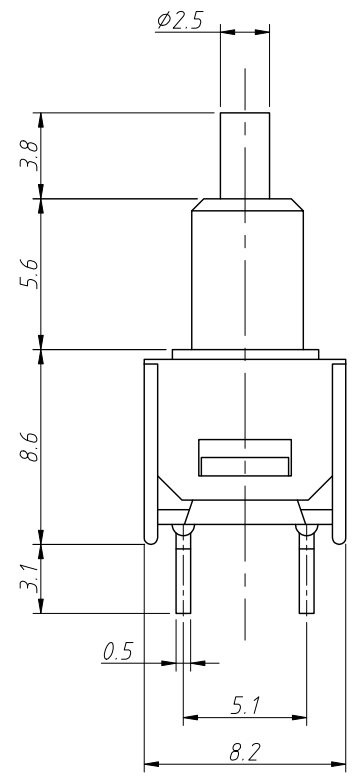
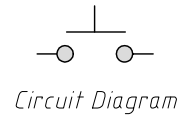


1
RoHS Compliance

6		7		8	
REV	SYM	Revision Record		Appr.	Date
V0	KLS07031	New Version Release		Jenny	2025-01-21



Notes:
 Rating: 1.5A 250V AC; 3A 125V AC
 Contact Resistance: 20 mΩ Max
 Insulator Resistance: 1000MΩ Min At 500V DC
 Dielectric Strength: 1000V AC 1 Minute
 Electrical Life: 10000 Cycles



ANGLE TOLERANCE	PROJECTION	Description:			
±3°		Toggle Switch			
GENERAL TOLERANCE	UNITS	mm	KLS P/N:		
x.x ±0.30	SHEET SIZE	A4	L-KLS7-SMPS-10-A1		
x.xx ±0.20	Draw:	Jenny	2025-01-21	NingBo KLS ELECTRONIC CO.,L TD.	
x.xxx ±0.10	Check:	Daniel	2025-01-21		