

Product Specification

Number: L-KLS1-XL4-2.50
Name: Wire to Board Connector
Specification: _____
Customer: _____
Date: 2023-09-25

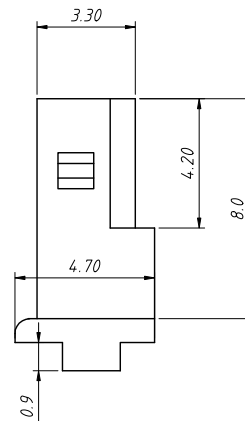
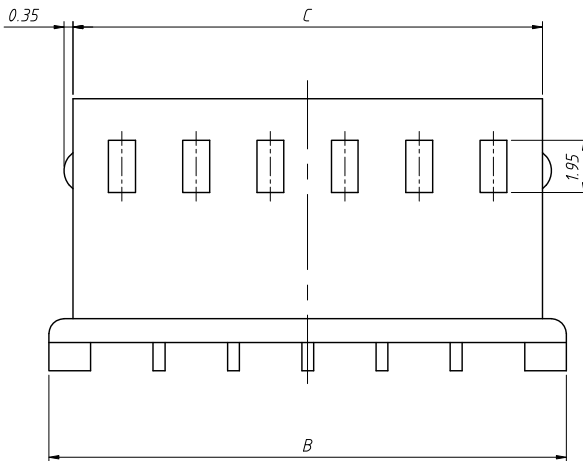
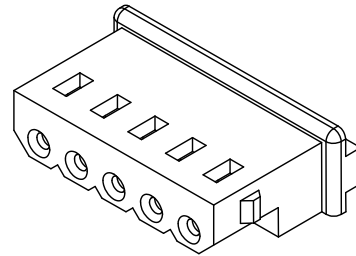
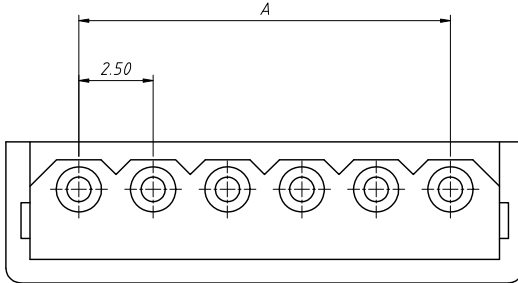
Customer Signature:



NINGBO KLS ELECTRONIC CO; LTD
Tel : 0086-574-86828566
Fax : 0086-574-86824882
ADD : NO. 8-1, RONGXIA RD. XIAPU SHANQIAN
INDUSTRIAL ZONE BEILUN NINGBO ZHEJIANG.

Compi	Check	Review	Approva
Jenny	Jack.C		

Part name	Wire to Board Connector,Housing	Date	2023-09-25
Part number	L-KLS1-XL4-2.50-XX-H	Edition	V1
Department		Page	2 / 5

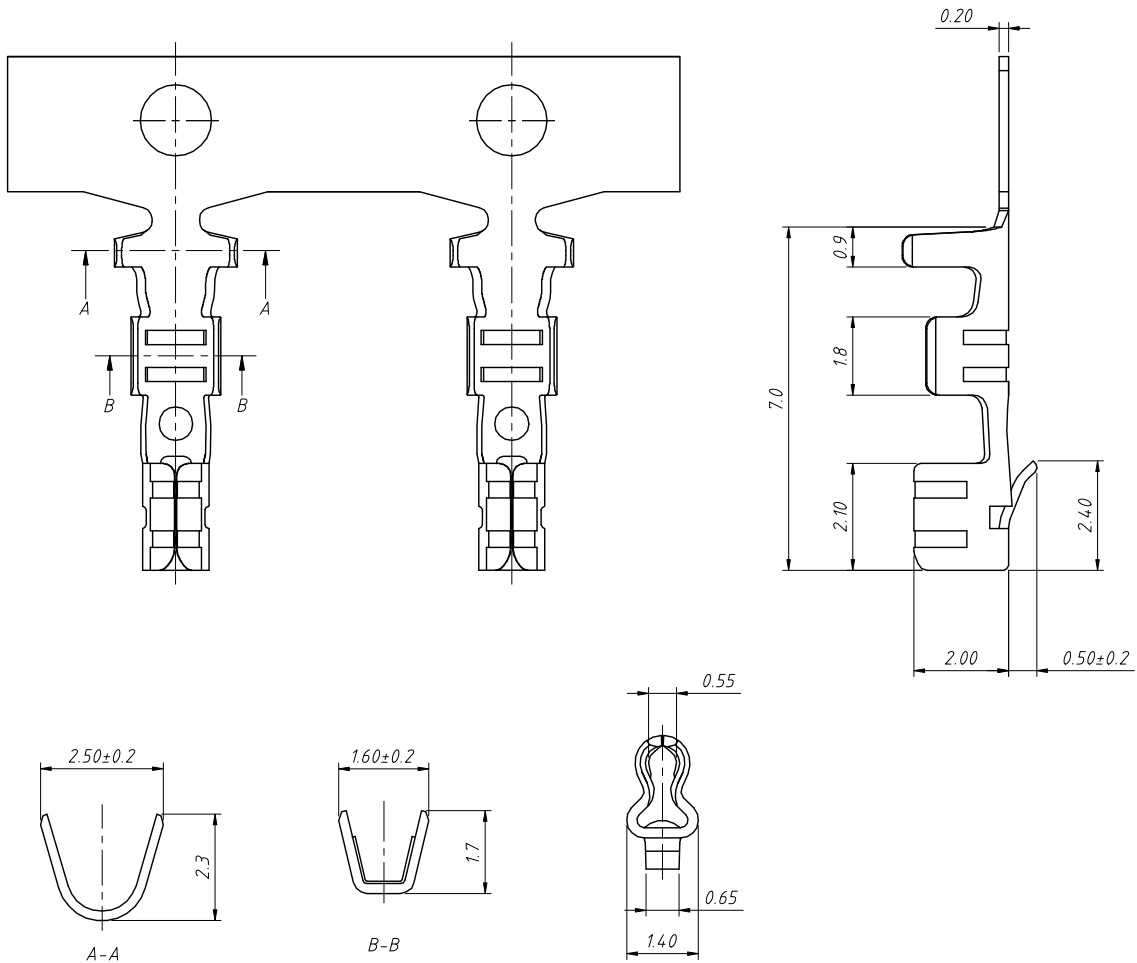


Material:
Housing:PA66,UL94V-0,White

Electrical Characteristics:
Rated Current:3.0AMP
Voltage rating:250V AC,DC
Temperature range:-25°C ~ + 85°C
Insulator Resistance:1000MΩ Min
Withstanding Voltage:1000V AC/minute
Contact Resistance:20mΩ Max

Pin	Dimensions(mm)		
	A	B	C
02	2.50	7.40	5.80
03	5.00	9.90	8.30
04	7.50	12.40	10.80
05	10.00	14.90	13.30
06	12.50	17.40	15.80
07	15.00	19.90	18.30
08	17.50	22.40	20.80
09	20.00	24.90	23.30
10	22.50	27.40	25.80
11	25.00	29.90	28.30
12	27.50	32.40	30.80
13	30.00	34.90	33.30
14	32.50	37.40	35.80
15	35.00	39.90	38.30
16	37.50	42.40	40.80

Part name	Wire to Board Connector, Terminal	Date	2023-09-25
Part number	L-KLS1-XL4-2.50-T	Edition	V1
Department		Page	3 / 5



Material:

Terminal: Phosphor Bronze

Plating: Tin plated

Applicable wires: AWG #22 ~ # 28

Insulation O.D: 1.9mm

Qty/reel: 10000 pcs

Electrical Characteristics:

Rated Current: 3.0AMP

Voltage rating: 250V AC, DC

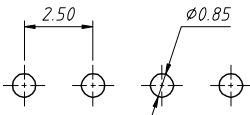
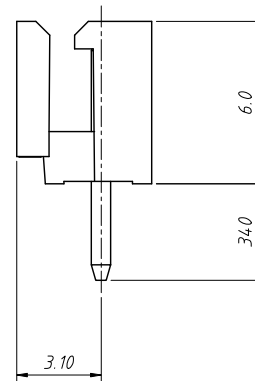
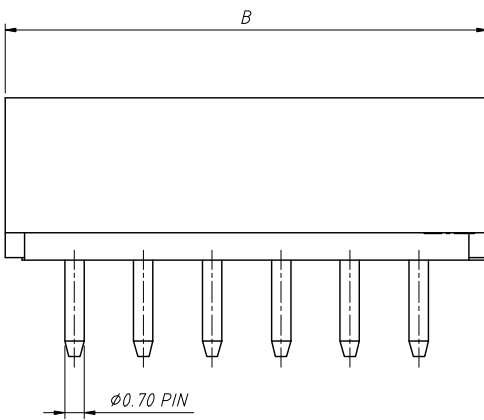
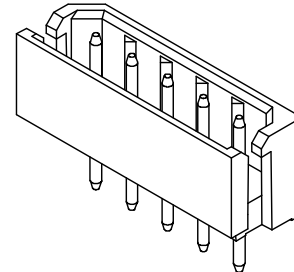
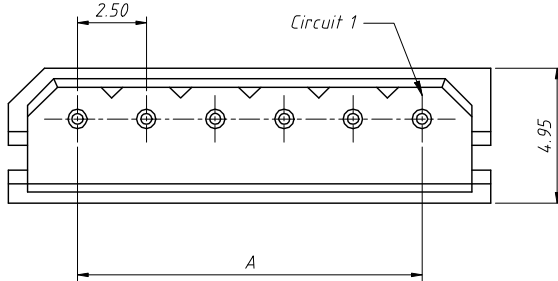
Temperature range: -25°C ~ + 85°C

Insulator Resistance: 1000MΩ Min

Withstanding Voltage: 1000V AC/minute

Contact Resistance: 20mΩ Max

Part name	Wire To Board Connector, Straight pin	Date	2023-09-25
Part number	L-KLS1-XL4-2.50-XX-S	Edition	V1
Department		Page	4 / 5



Recommended PCB Layout

Material:

Housing: PA66, UL 94 V-0, Natural

Contact: Brass

Plating: Tin plate

Electrical Characteristics:

Rated Current: 3.0AMP

Voltage rating: 250V AC, DC

Temperature range: $-25^{\circ}\text{C} \sim +85^{\circ}\text{C}$

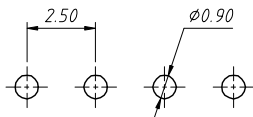
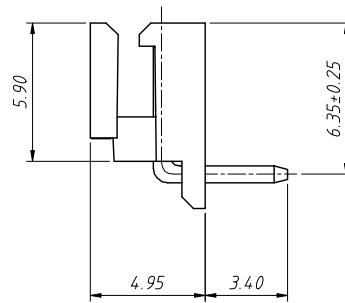
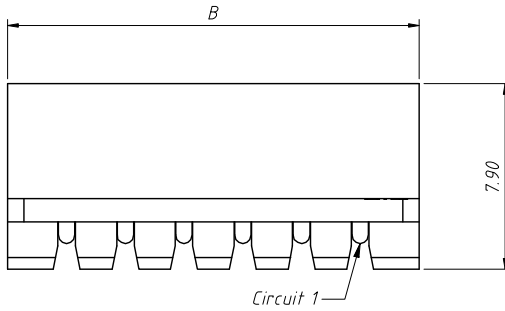
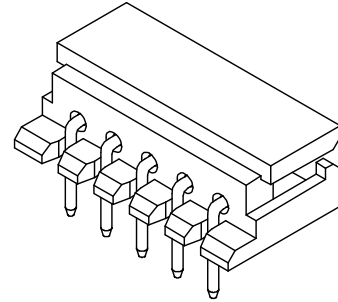
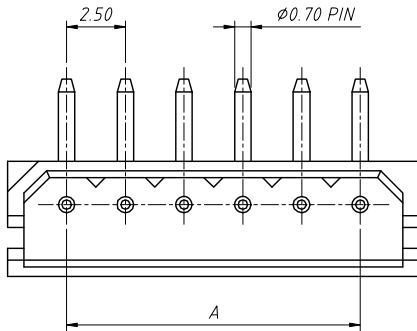
Insulator Resistance: 1000M Ω Min

Withstanding Voltage: 1000V AC/minute

Contact Resistance: 20m Ω Max

Pin	Dimensions(mm)	
	A	B
02	2.50	7.50
03	5.00	10.00
04	7.50	12.50
05	10.00	15.00
06	12.50	17.50
07	15.00	20.00
08	17.50	22.50
09	20.00	25.00
10	22.50	27.50
11	25.00	30.00
12	27.50	32.50
13	30.00	35.00
14	32.50	37.50
15	35.00	40.00
16	37.50	42.50

Part name	Wire to Board Connector,Right pin	Date	2023-09-25
Part number	L-KLS1-XL4-2.50-XX-R	Edition	V1
Department		Page	5 / 5



Recommended PCB Layout

Material:

Housing:PA66,UL 94 V-0,White

Contact:Brass

Plating:Tin plate

Electrical Characteristics:

Rated Current:3.0AMP

Voltage rating:250V AC,DC

Temperature range:-25°C ~ + 85°C

Insulator Resistance:1000MΩ Min

Withstanding Voltage:1000V AC/minute

Contact Resistance:20mΩ Max

Pin	Dimensions(mm)	
	A	B
02	2.50	7.50
03	5.00	10.00
04	7.50	12.50
05	10.00	15.00
06	12.50	17.50
07	15.00	20.00
08	17.50	22.50
09	20.00	25.00
10	22.50	27.50
11	25.00	30.00
12	27.50	32.50
13	30.00	35.00
14	32.50	37.50
15	35.00	40.00
16	37.50	42.50