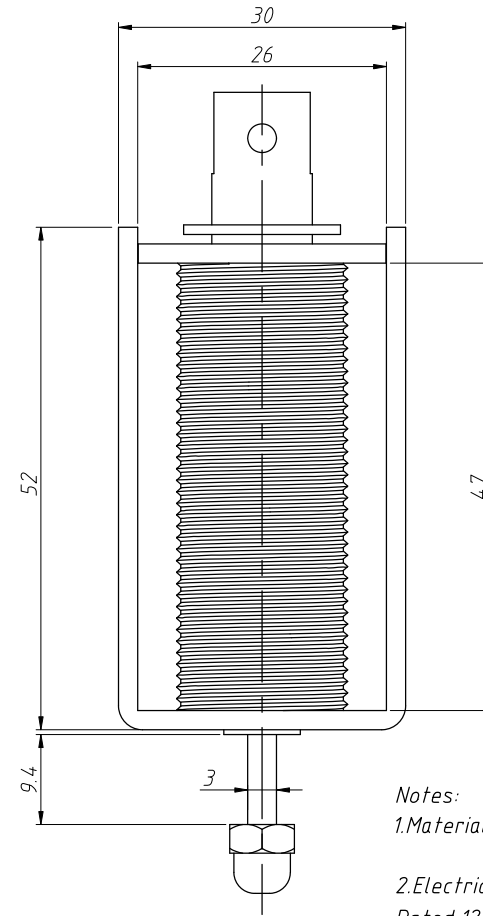
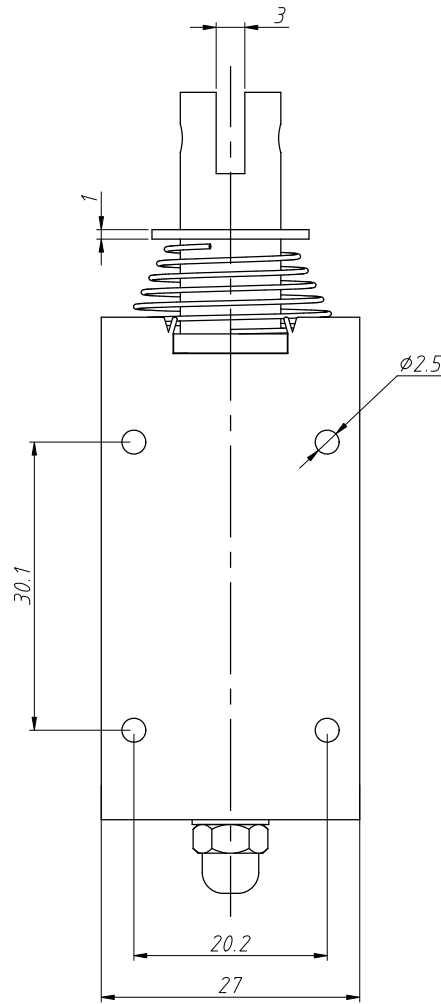
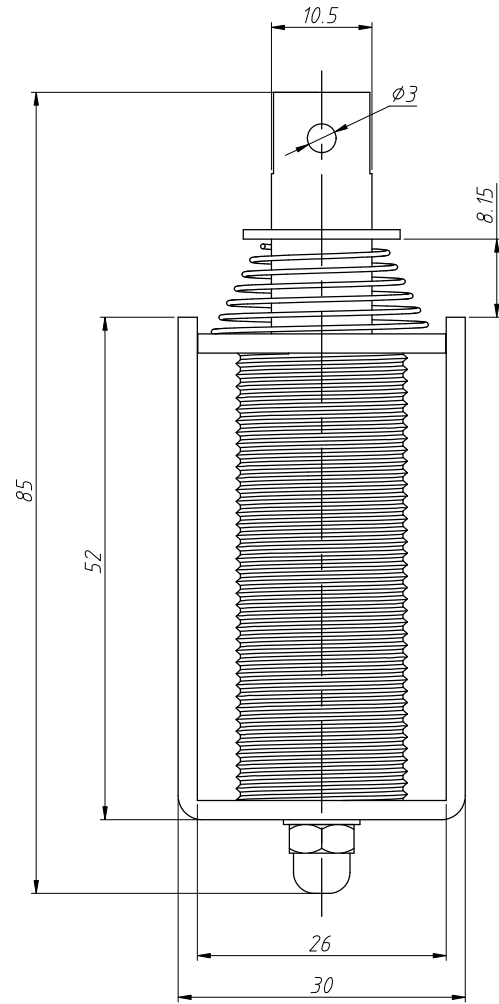


1 RoHS Compliance

REV	SYM	Revision Record	Appr.	Date
V0	KLS23020	New Version Release	Song	2024-01-15



Notes:
 1. Material: Iron, Zinc Plated
 2. Electric:
 Rated: 12V, 2~2.5A Or 24V, 1~1.5A
 Contact Resistance: 30 mΩ Max
 Insulator Resistance: 100 MΩ Min At 500 VDC
 Operating Temperature: -5°C ~ +40°C
 Humidity: 45-85%
 Storage Temperature: -40°C ~ +75°C
 Humidity: 0-95%

ANGLE TOLERANCE	PROJECTION	Description:		
±3°		Brush Motor		
GENERAL TOLERANCE	UNITS	mm	KLS P/N:	JF-1253B
x.x ±0.30	SHEET SIZE	A4		
x.xx ±0.20	Draw:	Song	2024-01-15	
x.xxx ±0.10	Check:	Daniel	2024-01-15	

NingBo KLS ELECTRONIC CO.,L TD.