

4

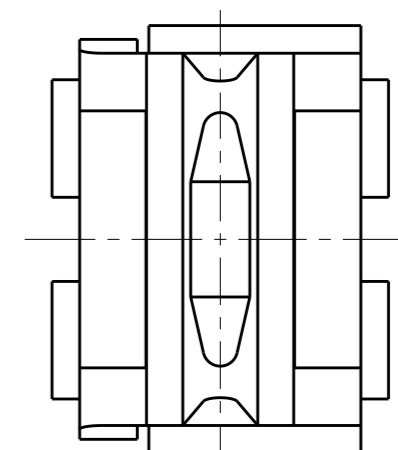
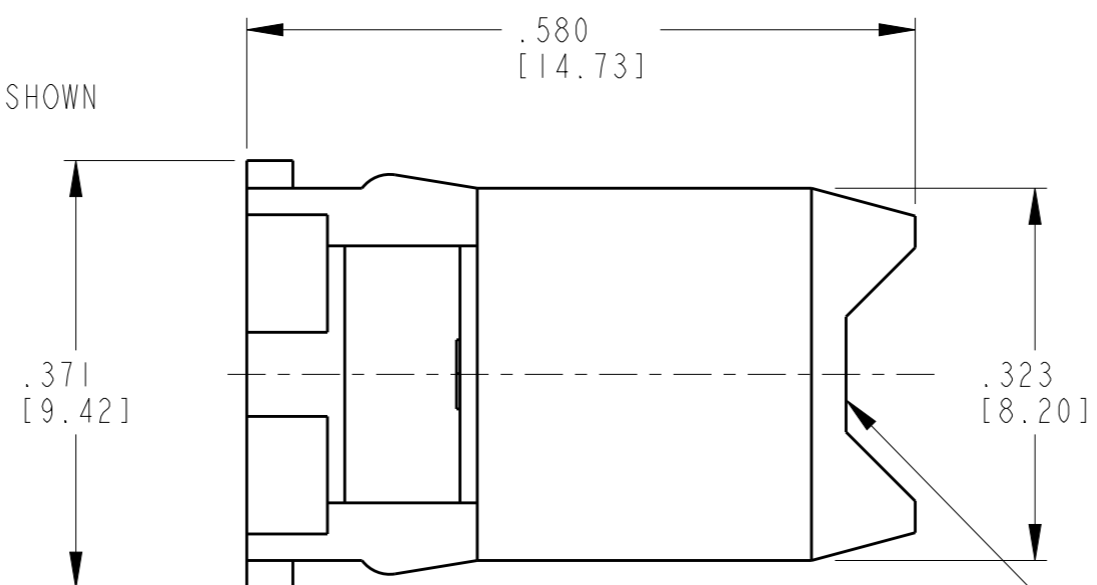
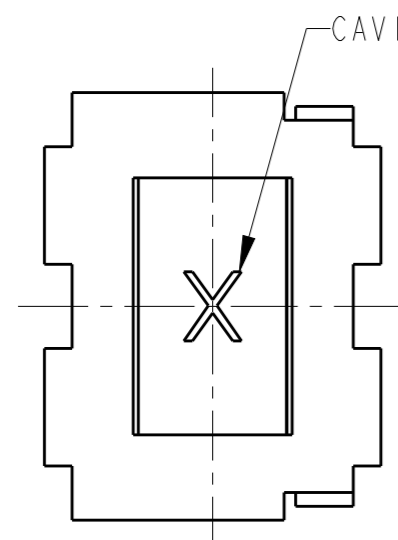
3

2

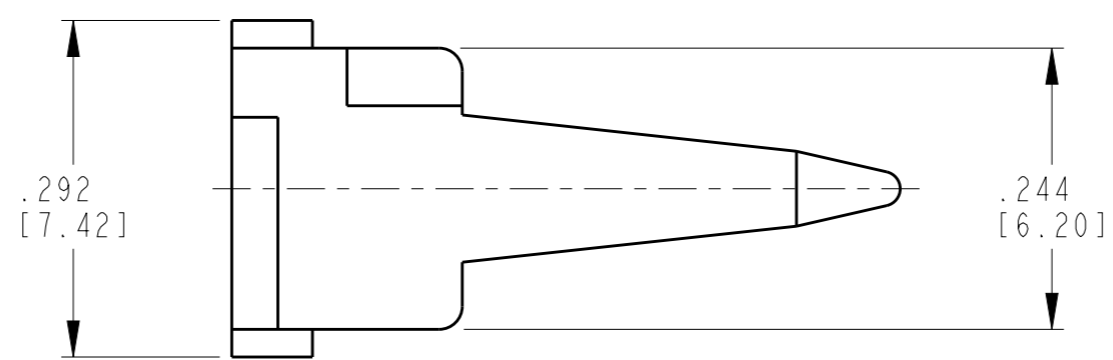
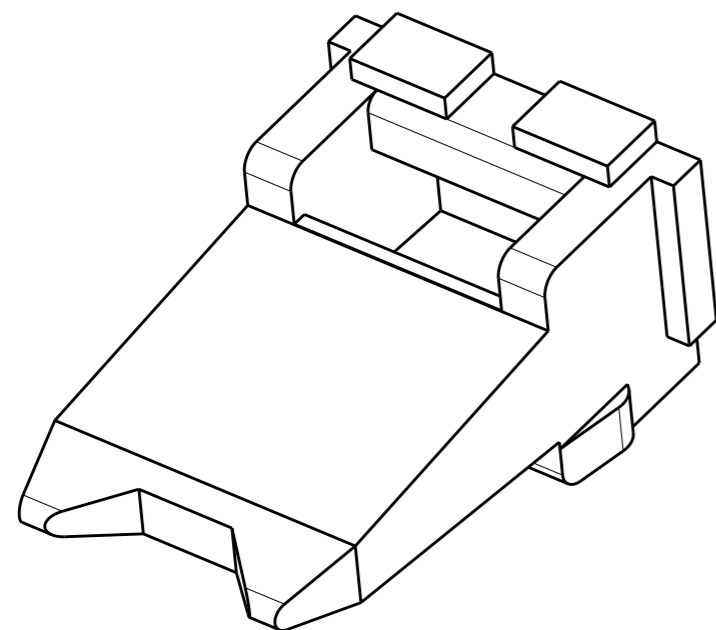
1

THIS DRAWING IS UNPUBLISHED. RELEASED FOR PUBLICATION 2014
© COPYRIGHT 2014 TE CONNECTIVITY ALL RIGHTS RESERVED.

LOC	DIST	REVISIONS			
P	LTR	DESCRIPTION	DATE	DWN	APVD
-	-	NC	NEW RELEASE PER EO A09299	2/9/90	CW JA
		A	REVISED PER EO PI5887	2/15/99	ST RDR
		B	REVISED PER ECO-14-003390	3/26/14	RLM DM



CUTOUT FEATURE OPTIONAL



1. USED WITH DT04-4P-**** (**** = ALL MODIFICATIONS). CONSULT FACTORY FOR MODIFICATION AND APPLICATION.

THIS DRAWING IS A CONTROLLED DOCUMENT.		DWN R. MESSENGER 08 JAN 2014	TE Connectivity		
DIMENSIONS: INCHES [mm]		CHK R. MESSENGER 09 JAN 2014			
		APVD D. MEYER 20 FEB 2014	NAME WEDGE LOCK 4 WAY RECEPTACLE DT SERIES		
		TOLERANCES UNLESS OTHERWISE SPECIFIED: 0 PLC ±- 1 PLC ±- 2 PLC ±- 3 PLC ±0.010 [0.25] 4 PLC ±- ANGLES ±0°30'0"		PRODUCT SPEC -	APPLICATION SPEC -
MATERIAL PLASTIC GREEN	FINISH -	WEIGHT 0.48 g	SIZE A3	CAGE CODE 4AFU8	DRAWING NO C-W4P
CUSTOMER DRAWING			SCALE 6:1	SHEET 1	OF 1
			REV B		

Mouser Electronics

Authorized Distributor

Click to View Pricing, Inventory, Delivery & Lifecycle Information:

[TE Connectivity:](#)

[W4-P](#)