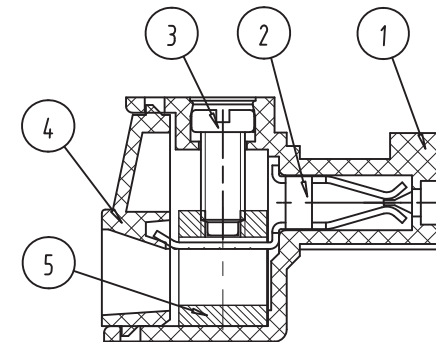


NOTES:

1. Rating: 300V 8A ;
2. Insulation Withstands Voltage: AC2000V/MIN
3. Insulation Resistance: 500MΩ or more at DC500V
4. Using Temperature Range: -40°C --- +105°C
5. Screw Torque Value: 1.7 lbf.in
6. Suitable Electric Wire: 28-16AWG
7. "★" is the important dimension.



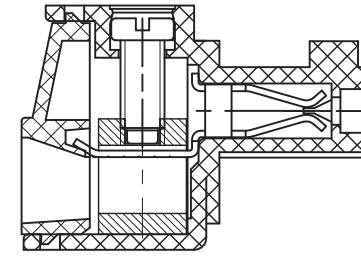
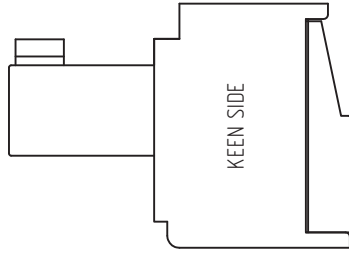
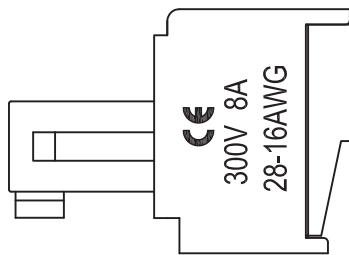
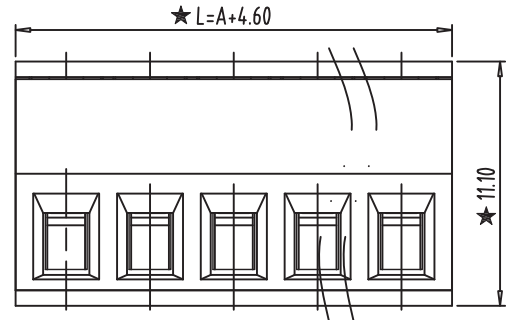
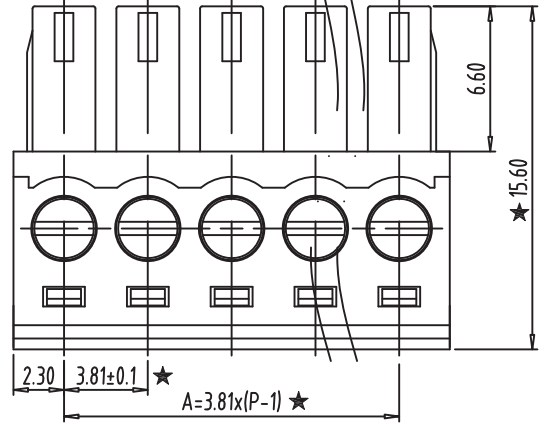
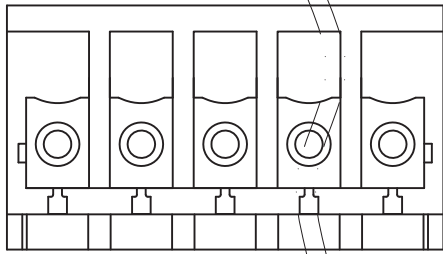
| DIM | P | 2 | 3 | 4 | 5 | 6 | 7 | 8 | 9 | 10 | 11 | 12 | **** |
|-----|---|------|-------|-------|-------|-------|-------|-------|-------|-------|-------|-------|------|
| L | | 7.90 | 11.40 | 14.90 | 18.40 | 21.90 | 25.40 | 28.90 | 32.40 | 35.90 | 39.40 | 42.90 | **** |
| A | | 3.50 | 7.00 | 10.50 | 14.00 | 17.50 | 21.00 | 24.50 | 28.00 | 31.50 | 35.00 | 38.50 | **** |

| Total Pitch Tolerances in mm | | | | | | | | | | Nominal dimension range in mm | | | | | | | | | | ⊥ | = | - | // | | |
|------------------------------|---------|---------|---------|---------|----------|----------|----------|----------|----------|-------------------------------|---------|---------|---------|---------|----------|----------|----------|----------|----------|--------|---------|-----|--------|----------|----------|
| over 0 | over 30 | over 53 | over 70 | over 90 | over 115 | over 150 | over 250 | over 350 | over 500 | over 0 | over 30 | over 53 | over 70 | over 90 | over 115 | over 150 | over 200 | over 250 | over 320 | over 0 | over 10 | all | over 0 | over 100 | over 150 |
| ±0.18 | ? .20 | ±0.25 | ±0.3 | ±0.35 | ? .44 | ±0.60 | ±0.70 | ? .85 | ±0.20 | ±0.25 | ±0.30 | ±0.35 | ±0.44 | ±0.55 | ±0.70 | ±0.80 | ±0.90 | 0.2 | 0.3 | 0.3 | 0.3 | 0.2 | 0.3 | 0.5 | |

| ITEM | NAME OF PART | NO. OF PART | Q'TY | MATERIAL | NOTE |
|------|--------------|-------------|------------|----------|--------------------------|
| DWG. | SK | DATE | 2014/11/08 | SIZE | A4 UNITS mm SHEET/OF 1/1 |
| CHK. | | DATE | | SCALE | 3:1 |
| APP. | | DATE | | NAME | KSE-15EDGK-3.50-XX |
| | | | | DWGNO. | |

| | | | |
|------|---------|-----|------------|
| REV | CONTENT | CHK | DATE |
| V0.0 | CONTENT | ZX | 2020/03/31 |

- NOTES:**
- 1.Rating:300V 8A ;
 - 2.Insulation Withstands Voltage: AC2000V/MIN
 - 3.Insulation Resistance: 500MΩ or more at DC500V
 - 4.Using Temperature Range:-40°C--+105°C
 - 5.Screw Torque Vlaue: 1.7 lbf.in
 - 6.Suitable Electric Wire: 14-24AWG
 - 7."★" is the important dimension.



| Total Pitch Tolerances in mm | | | | | | | | | | Nominal dimension range in mm | | | | | | | | | | ⊥ | ≡ | - | // | | | | |
|------------------------------|---------------|---------------|---------------|----------------|-----------------|-----------------|-----------------|-----------------|--------------|-------------------------------|---------------|---------------|----------------|-----------------|-----------------|-----------------|-----------------|--------------|----------------|-----------------|-----------------|-----|----------|-----|-----|-----|--|
| over 0 to 30 | over 30 to 53 | over 53 to 70 | over 70 to 90 | over 90 to 115 | over 115 to 150 | over 150 to 250 | over 250 to 350 | over 350 to 500 | over 0 to 30 | over 30 to 53 | over 53 to 70 | over 70 to 90 | over 90 to 115 | over 115 to 150 | over 150 to 200 | over 200 to 250 | over 250 to 320 | over 0 to 10 | over 10 to 100 | over 100 to 150 | over 150 to 150 | all | 0 to 100 | 0.2 | 0.3 | 0.5 | |
| ±0.18 | ?2.20 | ±0.25 | ±0.3 | ±0.35 | ?4.4 | ±0.60 | ±0.70 | ?8.5 | ±0.20 | ±0.25 | ±0.30 | ±0.35 | ±0.44 | ±0.55 | ±0.70 | ±0.80 | ±0.90 | 0.2 | 0.3 | 0.3 | 0.3 | 0.2 | 0.3 | 0.5 | | | |

| | | | | | |
|------|--------------|-------------|------------|----------|--------------------------|
| ITEM | NAME OF PART | NO. OF PART | Q'TY | MATERIAL | NOTE |
| DWG. | ZX | DATE | 2020/03/31 | SIZE | A4 UNITS mm SHEET/OF 1/1 |
| CHK. | | DATE | | SCALE | 3:1 |
| APP. | | DATE | | NAME | KSE-15EDGK-3.81-XX |
| | | | | DWGNO. | |

