

Product Specification

Number: L-KLS5-708B

Name: Panel Fuse Holders

Customer: _____

Date: 2025-07-24

Customer Signature:



WWW.KLSELE.COM

NINGBO KLS ELECTRONIC CO; LTD

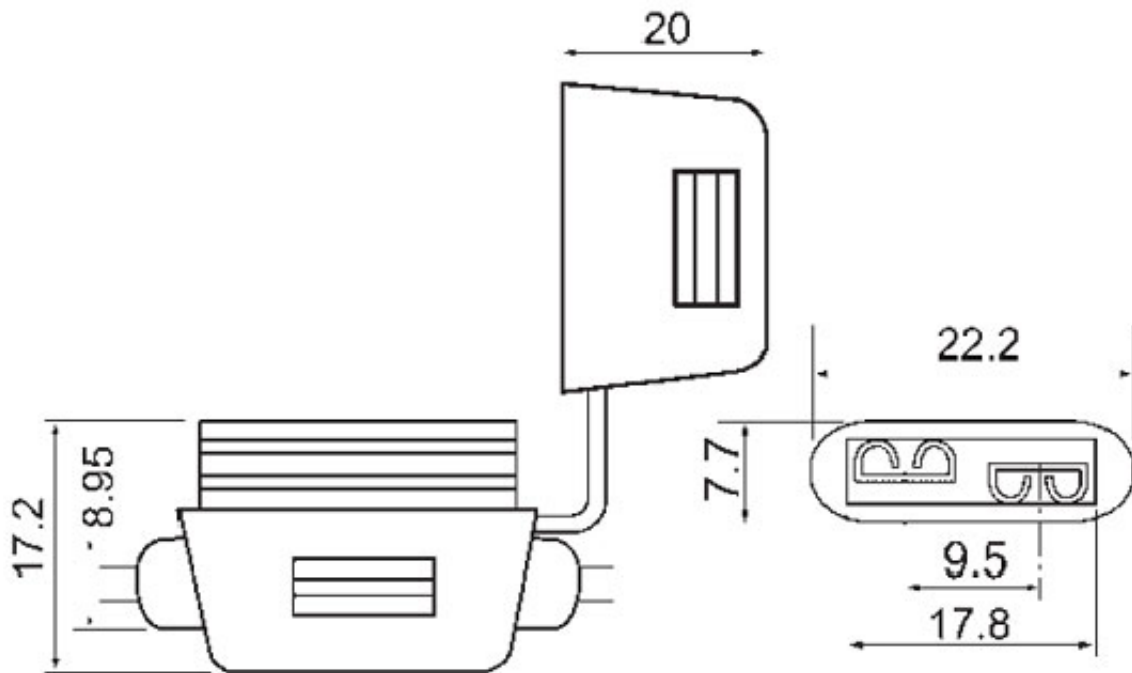
Tel : 0086-574-86828566

Fax : 0086-574-86824882

ADD : NO. 8-1, RONGXIA RD. XIAPU SHANQIAN
INDUSTRIAL ZONE BEILUN NINGBO ZHEJIANG.

Compi	Check	Review	Approva
Jenny	Jack.C		

Part name	Panel Fuse Holders	Date	2025-07-24
Part number	L-KLS5-708B	Edition	V1
Department		Page	2/2



★ **SPECIFICATIONS:**

◆ **Material:**

- **A-2 high temperature retardant PVC(弹性 A-2 耐高温聚氯乙烯)**

Limited temperature: 125°C

- **Nickel-plating(黄铜镀镍)**

◆ **Max. rated value: 40A32V**

◆ **Limited temperature of the wire : 150°C**