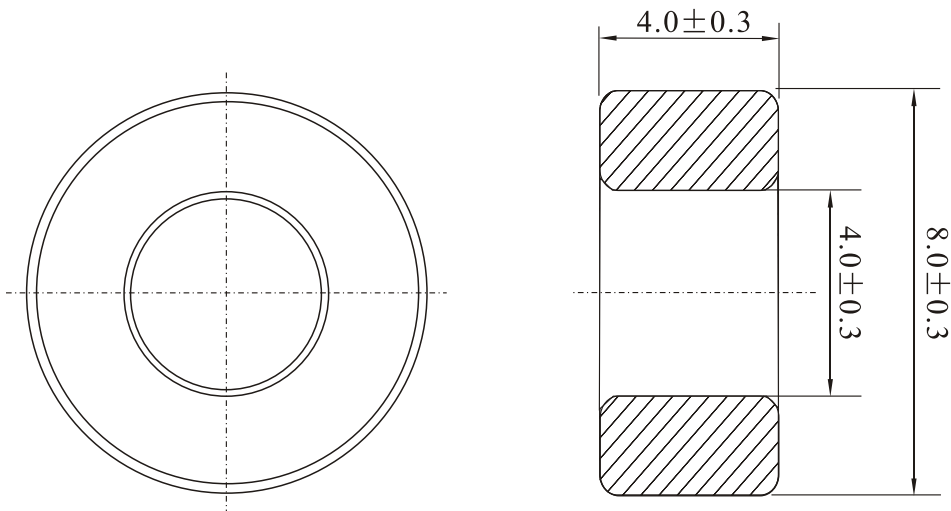


SPECIFICATION FOR APPROVAL



CUSTOMER		PART NO:	T080404-1
DATE	2021/05/31	TEMPERATURE	25°C
HUMIDITY	60%		

1. DIMENSIONS: (mm)



2. ELECTRICAL CHARACTERISTICS

AL nH/N ²	C _i /A mm ⁻¹	Le mm	Ae mm ²	Ve mm ³	Weight g
1230 ± 25%	2.36	18.84	8.0	150.7	0.74
TEST CONDITIONS	AL: F=10KHz U=0.05V T=23°C ± 3°C N=10Ts				
TESTING EQUIPMENT	HP4284A CH-258				

Initial permeability: 2300 ± 25%

PRPARED BY		APPROVED BY	
------------	--	-------------	--