

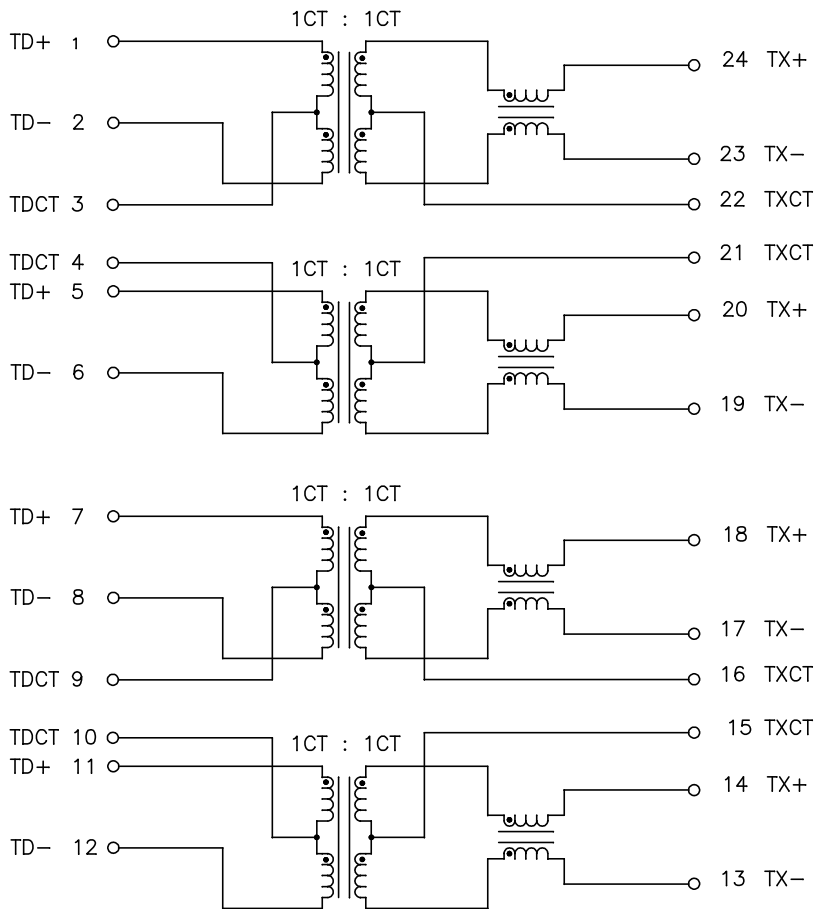


NOTES:

1. ROHS COMPLIANT
2. HEADER: DAP (DIALLYL PHTHALATE) WITH FLAMMABILITY RATING UL 94V-0 OR BETTER.
3. STORAGE TEMPERATURE: -50°C TO +125°C
4. COMPLIANCE TO J-STD:
 - A. J-STD-002: SOLDERABILITY AT 245°C REFLOW PROFILE
 - B. J-STD-020: LEVEL 1, NO MOISTURE SENSITIVE
5. TO ORDER TAPE & REEL PACKAGING ADD A "T" SUFFIX TO THE PART NUMBER(i.e HX5120NL BECOMES HX5120NLT).

© Copyright, 2014. Pulse Electronics Corp. All rights reserved. Pulse confidential & proprietary. (04/09/14)

PRODUCT DESCRIPTION	TLA DRAWING	PS DRAWING	SHEET
MDL,SIN,1GD,1:1,SMT,TU	HX5120NL-10	PS-2422.001-B	1 OF 3



SCHEMATIC

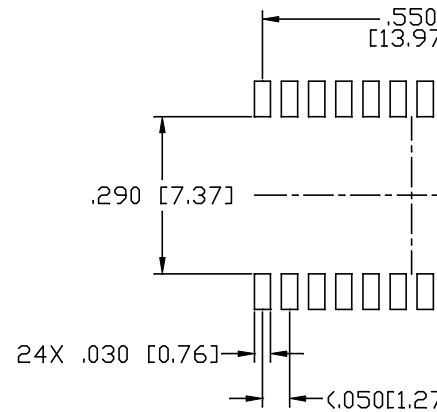
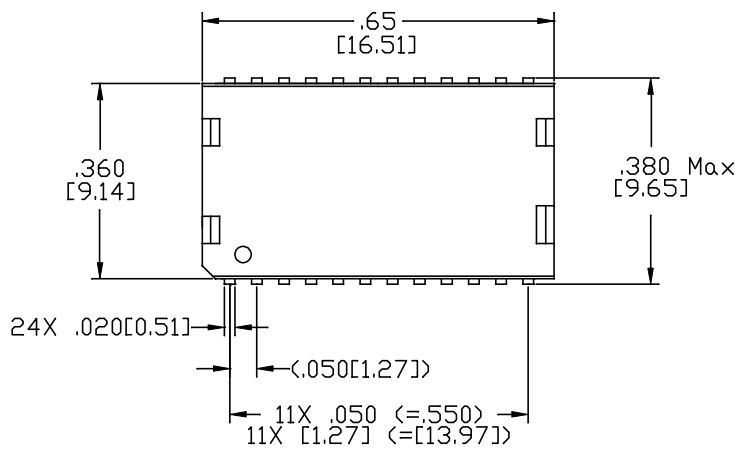
ELECTRICAL CHARACTERISTICS A
MEETS IEEE 802

PARAMETER	
INSERTION LOSS	100 K
	-1.2 dB
RETURN LOSS (Z OUT = 100 OHM ±15%)	.1-40
	-16 dB
INDUCTANCE (OCL) (MEDIA SIDE, -40°C~+85°C)	350 uH
CROSSTALK, ADJACENT CHANNELS	1 MHz
	-50 dB
COMMON MODE REJECTION RATIO	2 MHz
	-42 dB
DC RESISTANCE, 1/2 WINDING	
DC RESISTANCE IMBALANCE	±.065
INPUT - OUTPUT ISOLATION	

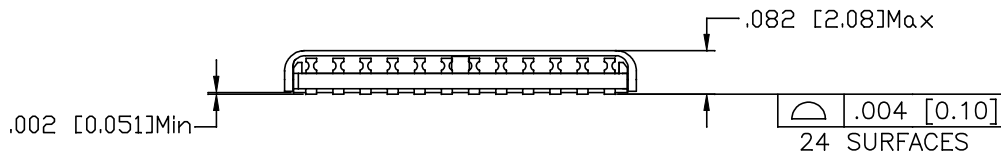
NOTE: f IS FREQUENCY IN MHz.

© Copyright, 2014. Pulse Electronics Corp. All rights reserved. Pulse confidential & proprietary. (04/09/14)

PRODUCT DESCRIPTION	TLA DRAWING	PS DRAWING	SHEET
MDL,SIN,1GD,1:1,SMT,TU	HX5120NL-10	PS-2422.001-B	2 OF 3



SUGGESTED LA



DIMENSIONS ARE IN INCHES [MILLIMETERS] WITH THE FOLLOWING TOLERANCES: [MILLIMETERS] ARE FOR REFERENCE ONLY.
.XX= ±.02 [±0.5]
.XXX= ±.010 [±0.25]

© Copyright, 2014. Pulse Electronics Corp. All rights reserved. Pulse confidential & proprietary. (04/09/14)

PRODUCT DESCRIPTION	TLA DRAWING	PS DRAWING	SHEET
MDL,SIN,1GD,1:1,SMT,TU	HX512ONL-10	PS-2422.001-B	3 OF 3