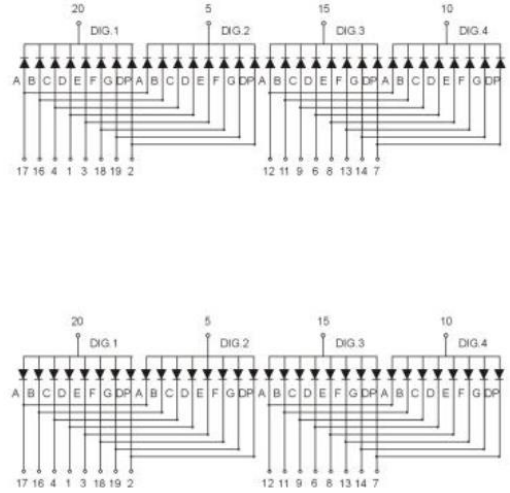
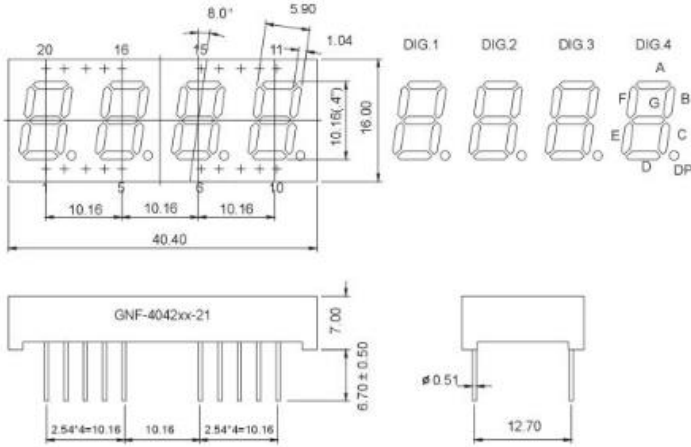


GNQ-4042Ex-Fx (TRIPLE DIGIT LED DISPLAY)



Features:

*0.40 INCH HIGH CHARACTER.

*EXCELLENT CHARACTER APPEARANCE.

*COMMON CATHODE OR COMMON ANODE.

*I.C. COMPATIBLE.

*LOW POWER CONSUMPTION.

*temperature range for GNQ-4042FG: -40 degree /+80 degree

Part Number	EMITTED COLOR		Common Cathode or Common Anode	Peak Wavelength (nm)	Vf (v) Typ	If (mA)	Intensity Per Segment (mcd)	
							Min.	Typ.
GNQ-4042EE	GaAsP/GaP	Hi.effi Red	Common Cathode	635	10-20	20	9	12
GNQ-4042EG	GaP	Green		565	10-20	20	8	11
GNQ-4042EY	GaAsP/GaP	Yellow		585	10-20	20	9	12
GNQ-4042ES	GaAlAs	Super Red		660	10-20	20	10	13
GNQ-4042ED	GaAlAs	Ultra Red		660	10-20	20	25	30
GNQ-4042EUE	AlGaInP	Ultra Red		625	10-20	20	30	35
GNQ-4042EUY	AlGaInP	Ultra Yellow		590	10-20	20	30	35
GNQ-4042FE	GaAsP/GaP	Hi.effi Red	Common Anode	635	10-20	20	9	12
GNQ-4042FG	GaP	Green		565	10-20	20	8	11
GNQ-4042FY	GaAsP/GaP	Yellow		585	10-20	20	9	12
GNQ-4042FS	GaAlAs	Super Red		660	10-20	20	10	13
GNQ-4042FD	GaAlAs	Ultra Red		660	10-20	20	25	30
GNQ-4042FUE	AlGaInP	Ultra Red		625	10-20	20	30	35
GNQ-4042FUY	AlGaInP	Ultra Yellow		590	10-20	20	30	35