



佛山市国星光电股份有限公司

FOSHAN NATIONSTAR OPTOELECTRONICS CO., LTD

SPECIFICATION

Customer		Product	
Customer No.		Type	SLL3054CRC2BD
Materiel No.		Ver si on number	A0

APPROVED SIGNATURES			



Research & Development Center		
APPROVE	CHECK	DRAW
Date	2011/08/03	

1. Description

- ✧ These display provide excellent reliability , with low power dissipation and long life-span
- ✧ These devices are made with white segment and black surface
- ✧ Common Cathode Show

2. Application

Numeric Display Show

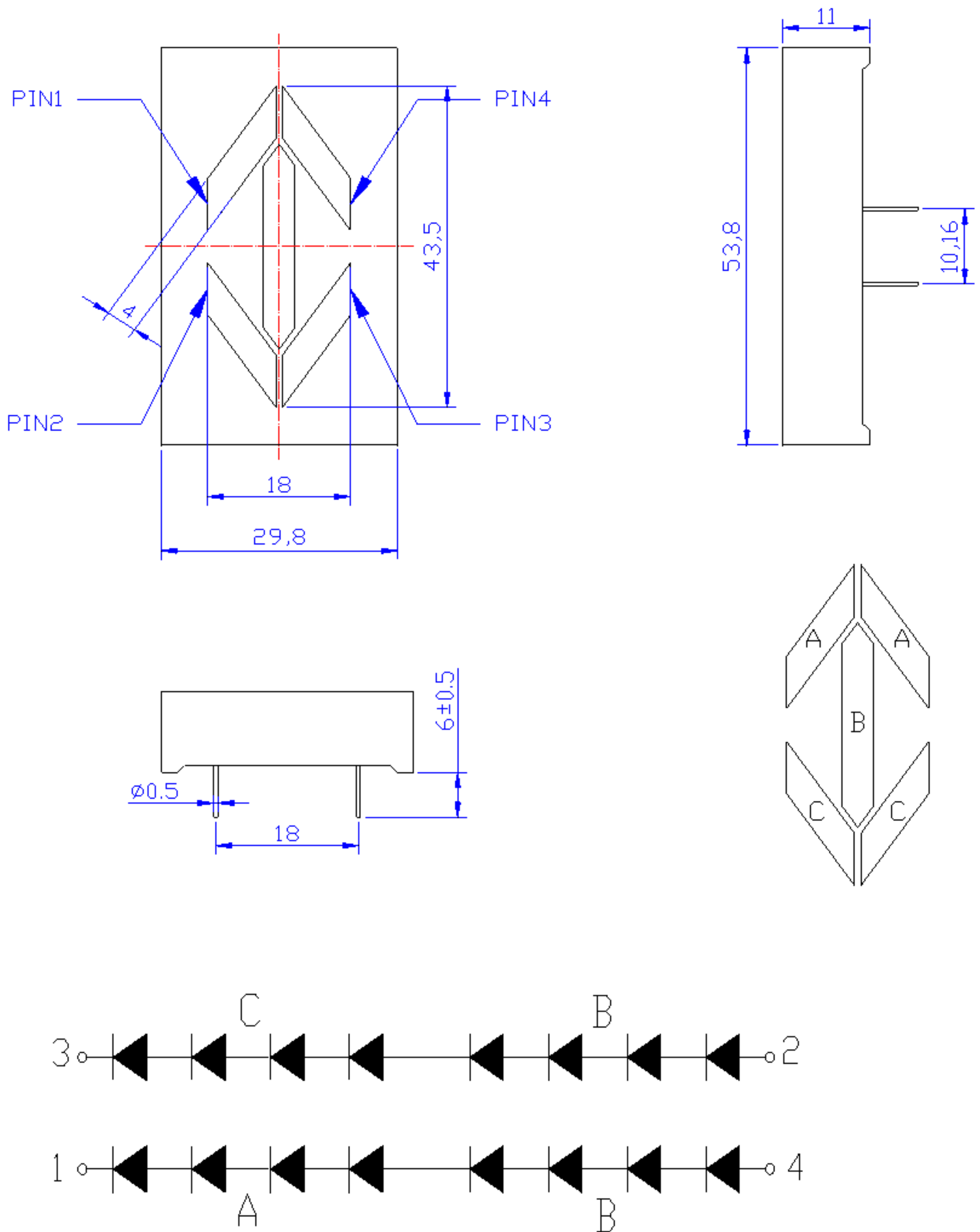
3. Absolute Maximum Ratings (TA=25°C)

Items	Minimum value	Maximum value	Unit
DC forward current I _F /Seg		20	mA
Reverse voltage V _R /Seg		5	V
Operating temperature T _{OPR}	-25	+75	°C
Storage temperature T _{STG}	-25	+85	°C
Peak pulse current I _{FM} /Seg		60	mA

Note: Condition for I_{FP} is pulse of 1/10 duty cycle and 0.1msec width, electrostatic protective use, soldering within 2-3 seconds in dry and well-ventilated area

4. Typical Electrical & Optical Characteristics (TA=25°C)

Items	Condition	Unit	Minimum value	Typ	Maximum value
Forward Voltage V _F /Seg	I _F =20mA	V	13.6	16	19.0
Reverse current I _R /Seg	V _R =5V	uA	-	-	50
Peak wavelength λ _D	I _F =20mA	nm	630	640	648
Halfwidth Δλ	I _F =20mA		-	30	-
Luminous intensity I _v /seg	I _F =20mA	mc d	20	30	35

5. Circuit Diagram、Outline Dimension:

 Unmarked tolerance : ± 0.25

Unit : mm