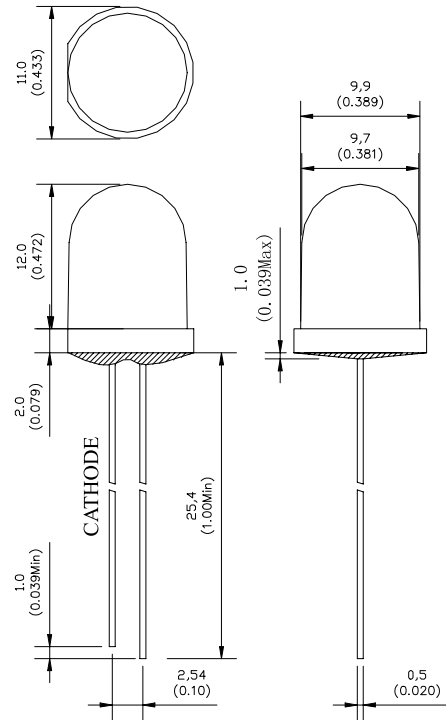


## GNL-10003xxD (Φ 10mm ROUND TYPE) Ultra Brightness

ABSOLUTE MAXIMUM RATING:(Ta=25°C)

Parameter			Unit
DC Forward Current	30		mA
Reverse Voltage	5		V
Reverse Current (Vr=5V)	10		μA
Peak Forward Current ,tw ,=1 msec Duty ,=1/20	150		mA
Operation Temperature	-40	+80	°C
Storage Temperature	-40	+100	°C
Solder Dip (5 seconds,1.6mm from body ) Temperature	300	±5	°C



Part Number	EMITTED COLOR		Lens Color	Peak Wavelength (nm)	Vf (v) Typ.	IV (If=20mA) mcd		View Angle 2 θ 1/2
						Min.	Typ.	
GNL-10003UED	AlGaInP	High Bright Orange	Red Diffused	625	2.0	250	350	40°
GNL-10003UYD	AlGaInP	High Bright Yellow	Yellow Diffused	590	2.0	500	600	40°
GNL-10003UBD	InGaN	Super Bright Blue	Blue Diffused	470	3.5	400	500	40°
GNL-10003PGD	AlGaInP	High Bright Green	Green Diffused	525	3.5	2500	3000	25°
GNL-10003UED-TL	AlGaInP	High Bright Orange	Red Diffused	625	2.0	500	700	45°
GNL-10003UYD-TL	AlGaInP	High Bright Yellow	Yellow Diffused	590	2.0	1100	1300	40°
GNL-10003UBD-TL	InGaN	Super Bright Blue	Blue Diffused	470	3.5	600	700	40°
GNL-10003PGD-TL	AlGaInP	High Bright Green	Green Diffused	525	3.5	3000	5000	25°
GNL-10003UED-1	AlGaInP	High Bright Orange	Red Diffused	625	2.0	150	200	40°